

Vehicle Applications

NISSAN

- 2014 – 2015 Frontier
- 2014 – 2015 NV200
- 2014 – 2015 Sentra
- 2014 – 2015 Versa
- 2014 – 2015 Xterra

Features

- Provides a composite A/V input to the factory Nissan radio.
- Includes HDMI to composite adaptor cable for smartphone mirroring.
- Plug and Play Installation

Note

- **NOT COMPATIBLE with iOS12 and up.**
- Vehicle must have factory audio AUX input.
- Not compatible with Navigation radios.

Parts Included



SWC MODULE



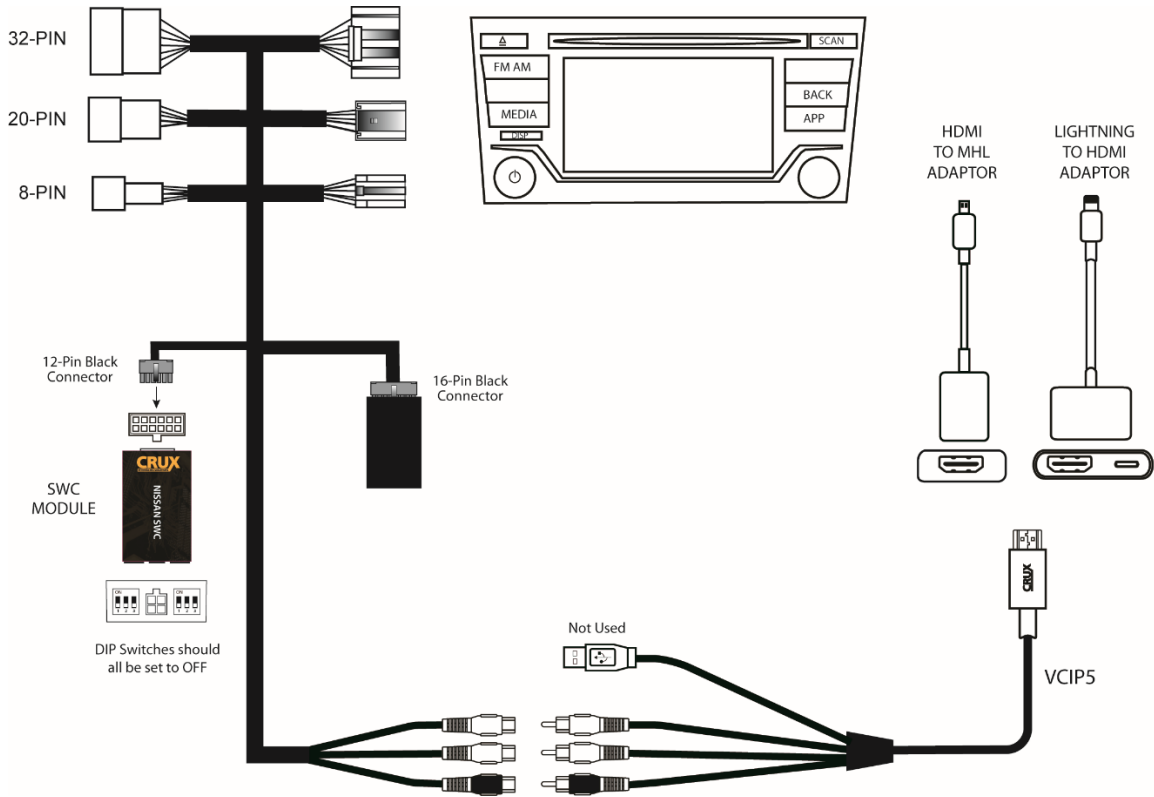
NS-07 Harness



VCIP5 HDMI Conversion Cable



Wiring Diagram



Installation Instructions

1. Remove the factory radio from the dashboard and unplug the factory connectors from behind the radio.
2. Mate the T-Harness connections to the factory connectors. (Make sure all connectors are properly seated into the interface and into the radio.)
3. Connect the audio and video source to the female RCAs on the AVINS-07 T-Harness.
4. Set all the DIP switches to OFF.
4. Test the system before putting back the radio.

OPERATING INSTRUCTIONS

1. Turn on the radio and select **AUX** mode.
2. Press the **"END CALL"** button on the Steering Wheel Controls for 2 to 3 seconds to toggle **VIDEO IN**.
3. Video will now be playing on the screen and audio will be heard from the speakers.
4. Install the radio back into the dashboard.





Press and hold the END CALL button for 2 to 3 seconds to toggle VIDEO IN.



Video will now play and audio will be heard from the speakers.

COMPATIBLE RADIOS:



2015 Nissan Sentra



2015 Nissan Versa

******NOT COMPATIBLE WITH iOS12 and up******

