



**PRODUCT FEATURES:**

- Retains factory features in select GM LAN 11 Bit vehicles while functioning with an aftermarket radio.
- Supports Bose, non-Bose and Y-91 audio systems.
- Retains factory front and rear parking sensors.
- Retains safety and warning chime functions.
- EIA color coded wiring for easy installation.

**NOTES:**

1. **DOES NOT** support ONSTAR.
2. **DOES NOT** support factory Steering Wheel Controls. Use Part# SWRGM-51 instead.

**PARTS INCLUDED:**



GM-18B Module



GM-18B Harness (GM-2A)

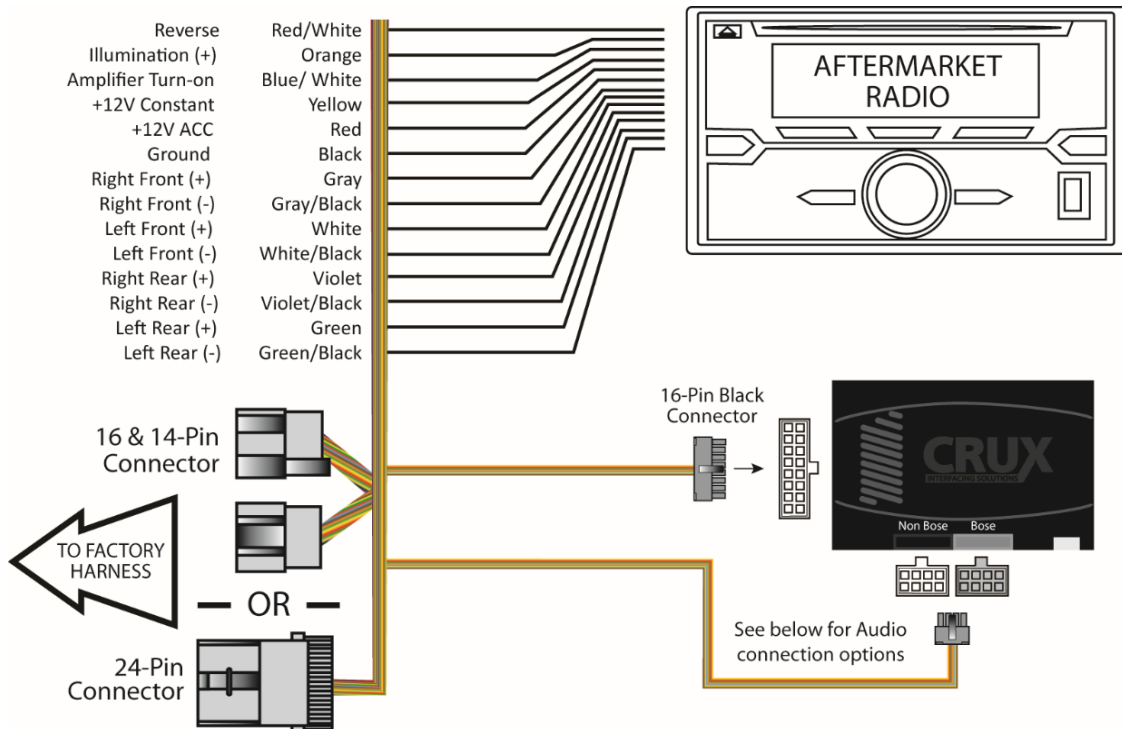


GM-18B Harness (GM-2B)



Antenna Adaptor

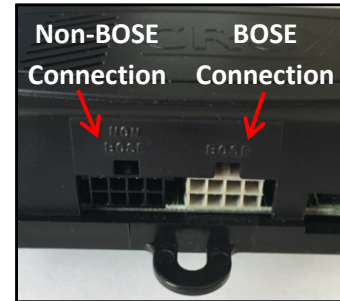
**INSTALLATION DIAGRAM:**



**SELECTING THE AUDIO SYSTEM:**

If the vehicle is equipped with a Bose system, the SOCGM-18 has a built-in Bose adaptor that allows the proper audio input gain from the aftermarket radio to the Bose amplifier. To use this feature, plug in the male 8-pin connector on the harness to the GRAY female 8-pin connector on the SOCGM-18 module. The module is also labeled “Bose” and “Non Bose” to avoid confusion.

If the vehicle is NOT equipped with a Bose system, plug in the male 8-pin connector to the BLACK female 8-pin on the SOCGM-18 module.



**CHIME VOLUME ADJUSTMENT:**

The SOCGM-18 has a potentiometer to adjust the chime volume. It is set at half way by default. To adjust the volume, simply use a suitable screw driver and turn the potentiometer clockwise to increase the volume and counter-clockwise to decrease the volume.



**VEHICLE APPLICATIONS:**

**16 and 14 PIN CONNECTORS**

**CHEVROLET**

2007-2010 Cobalt  
 2007-2011 HHR  
 2008-2012 Malibu

**PONTIAC**

2007-2009 G5  
 2008-2009 G6  
 2006-2009 Solstice

**SATURN**

2007-2009 Aura  
 2007 Ion  
 2007-2010 Sky

**24 PIN CONNECTOR**

**CHEVROLET**

2005-2006 Cobalt  
 2004-2007 Malibu  
 2004-2007 Malibu Maxx  
 2008 Malibu Classic

**PONTIAC**

2005-2007 G6

