



VIMMB-85S



MERCEDES BENZ:
2007 - 2012 S-550
2008 - 2014 CL-Class

VIDEO IN-MOTION FOR SELECT MERCEDES BENZ S and CL-CLASS 2007-2014

We recommend reading this installation guide first before starting any work. Following these instructions from "Start" to "Finish" will ensure a smooth and hassle free installation. We offer telephone support M-F 9:00 AM - 5:00PM PDT at 1 (855) 822-1348. We are here to help.

PARTS INCLUDED:

- (1) MB-78S Interface
- (1) MB-78S Harness (2592)
- (1) Instruction

PRECAUTIONS:

- Remove the negative side of the battery to avoid any short circuits during the installation.
- Do not install the interface near any major components or near the HVAC system. This may cause damage or overheating to the vehicle.
- **Do not disconnect the airbag connection behind the radio panel.**

PRELIMINARY:

Please read the entire manual before installing this interface.
Vehicle must be equipped with factory DVD changer.
This interface does not activate DVD reader.

SAFETY WARNING:

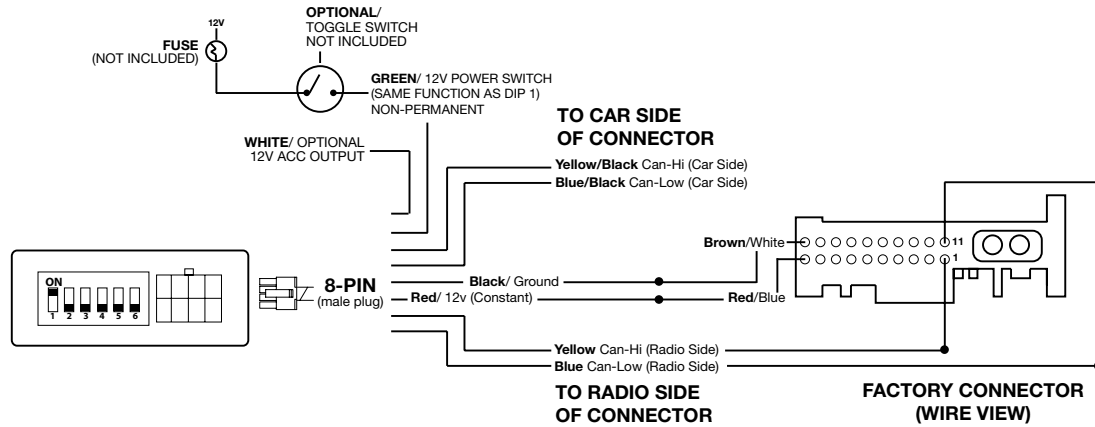
THIS INTERFACE IS DESIGNED TO ACTIVATE VIDEO IN-MOTION TO ALLOW THE PASSENGER ACCESS TO THE ADDRESS INPUT WHILE THE VEHICLE IS IN-MOTION. THIS INTERFACE MAY CAUSE AN ERROR WHEN SERVICED AT THE OEM DEALER. BE AWARE THAT MOST DEALERS WILL ATTEMPT TO VOID THE MANUFACTURERS WARRANTY WHEN INSTALLING ANY AFTERMARKET EQUIPMENT. IMPROPER USE OF THIS INTERFACE BY THE DRIVER MAY RESULT IN CITATION. DRIVER MUST KEEP FULL ATTENTION ON THE ROAD AND RESPONSIBILITY ON THE SAFETY OF HIS PASSENGERS.

INSTALLING THE INTERFACE:

1. Remove the factory radio to gain access to the factory connectors.
2. Remove the 20-Pin connector from behind the radio.
3. Take the factory connector and cut the (2) Can-Bus wires.
4. Take the wires from the connector side going to the radio
5. Set the dip switches to permanently activate the VIM feature.
6. Test the Navigation address input while the car is in-motion to verify the VIM is active.

As an option we have provided a 12v Acc output wire from our interface, as the vehicle does not provide 12v Acc. Do not use if not needed.

INSTALLATION OVERVIEW



COMPATIBLE RADIO



SETTING THE DIP SWITCHES

TO ENABLE VIDEO IN-MOTION



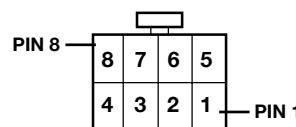
1. On = Enable
2. Not Used
3. Not Used
4. Not Used
5. Off = CAN Termination Car Side
6. Off = CAN Termination Radio Side

Dip 1: Activates the Video In-Motion feature. The dip switch is the permanent solution for keeping the VIM unlocked. Use the Green wire with a toggle switch for a non-permanent solution. (Switch not included)

Dip 6 Note: Place to ON if you experience the Radio not working properly, such as freezing or not responding. Otherwise leave OFF.

WIRING COLOR CODES

WIRE VIEW



- Pin 1:** Red = Constant
- Pin 2:** White = 12V Acc Output (Optional)
- Pin 3:** Blue = Can-Low (Radio Side)
- Pin 4:** Yellow = Can-High (Radio Side)
- Pin 5:** Black = Ground
- Pin 6:** Green = Video In-Motion (Permanent)
- Pin 7:** Blue/Black = Can-Low (Car Side)
- Pin 8:** Yellow/Black = Can-High (Car Side)

TROUBLE SHOOTING

1. No video display while driving.
 - Make sure the dip switches are in the proper location.

IMPORTANT:
Compatible Radio: W221



VIDEO IN-MOTION FOR SELECT MERCEDES BENZ S and CL-CLASS 2008-2014

RADIO REMOVAL

1. Remove plastic bezel below the radio and remove (2) torx screws.



2. Using a pic tool, remove plastic screw covers on both top LEFT and top RIGHT sides of the CD Changer door cover.



RADIO REMOVAL

3. After removing the plastic covers, remove (4) Torx screws that release the radio. There are (2) on the top corners and (2) on the bottom corners.

