



**VIMLR-88**



**VERSION 1:**

- 2005 - 2009 Land Rover Discovery (L319)
- 2005 - 2009 Range Rover Sport (L320)
- 2005 - 2009 Range Rover Vogue (L322)

**VERSION 2:**

- 2010 - 2011 Land Rover Discovery (L319)
- 2010 - 2011 Range Rover Sport (L320)
- 2010 - 2012 Range Rover Vogue L322)

**VIDEO IN-MOTION ACTIVATION FOR LAND ROVER w/TOUCH-SCREEN NAV SYSTEMS V1 AND V2**

We recommend reading this installation guide first before starting any work. Following these instructions from "Start" to "Finish" will ensure a smooth and hassle free installation. We offer telephone support M-F 9:00 AM - 5:00PM PDT at 1 (855) 822-1348. We are here to help.

**PARTS INCLUDED:**

- (1) LR-88 Interface
- (1) LR-88 Harness
- (1) Instruction

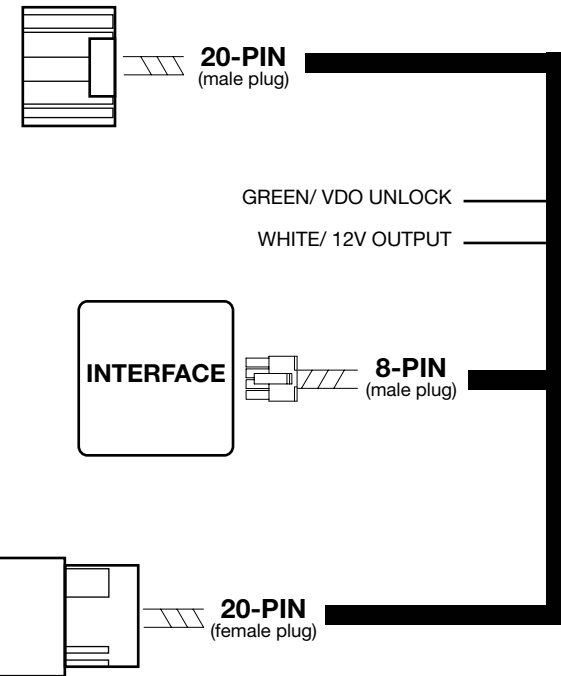
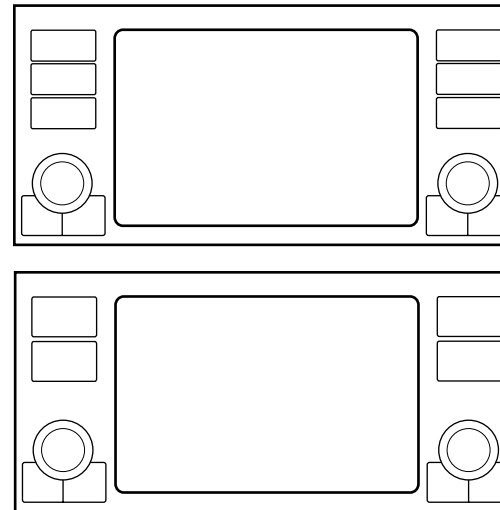
**PRECAUTIONS:**

- Remove the negative side of the battery to avoid any short circuits during the installation.
- Do not install the interface near any major components or near the HVAC system. This may cause damage or overheating to the vehicle.
- **Do not disconnect the airbag connection behind the radio panel.**

**PRELIMINARY:**

Please read the entire manual before installing this interface.  
**Vehicle must be equipped with factory DVD changer.**  
 This interface does not activate DVD reader.

**INSTALLATION OVERVIEW**



**SAFETY WARNING:**  
**THIS INTERFACE IS DESIGNED TO ACTIVATE VIDEO IN-MOTION TO ALLOW THE PASSENGER ACCESS TO THE ADDRESS INPUT WHILE THE VEHICLE IS IN-MOTION. THIS INTERFACE MAY CAUSE AN ERROR WHEN SERVICED AT THE OEM DEALER. BE AWARE THAT MOST DEALERS WILL ATTEMPT TO VOID THE MANUFACTURERS WARRANTY WHEN INSTALLING ANY AFTER-MARKET EQUIPMENT. IMPROPER USE OF THIS INTERFACE BY THE DRIVER MAY RESULT IN CITATION. DRIVER MUST KEEP FULL ATTENTION ON THE ROAD AND RESPONSIBILITY ON THE SAFETY OF HIS PASSENGERS.**

**TO ENABLE VIDEO IN-MOTION**



- 1. On = Enable
- 2. Used
- 3. Not Used
- 4. Not Used
- 5. ON
- 6. ON

**INSTALLING THE INTERFACE:**

1. Remove the factory radio to gain access to the factory connectors.
2. Make the T-Harness connections behind the factory radio.  
(if the connectors do not match please contact tech support)
3. Test and make sure the Reverse gear triggers the interface and also test the video in-motion while the car is rolling.  
(Navigation address input should be active while rolling)
4. Make all other connections before re-installing the factory radio.

**DIP SWITCH NUMBER 2 SETTING:**

The interface works with vehicles with and without the factory rear-view camera. Depending on the vehicle type you have, dip switch number 2 must be on "ON" or "OFF"

<b>DIP SWICHTES:</b>	<b>2</b>
<b>FACTORY CAMERA</b>	ON
<b>NO FACTORY CAMERA</b>	OFF

**NON-PERMANENT VIDEO IN-MOTION:**

If the customer wants the option to deactivate the video in-motion. The installer can use the GREEN wire instead of the dip switch setting to activate and deactivate the video in-motion.

This way the user can have access to the wire without having to get behind the radio if wanting to deactivate.

**Important Note:**

This interface only supports the following radio types:  
 -Touch-Screen navigation Version 1 & Version 2.

**TROUBLE SHOOTING**

1. No video display while driving.  
 - Make sure the dip switches are in the proper location.