



VIMGM-94



BUICK:
2008 - 2015 Enclave
2008 - 2011 Lucerne

CADILLAC:
2006 - 2010 DTS
2007 - 2014 Escalade

CHEVROLET:
2007 - 2011 Avalanche
2011 - 2011 Express
2011 - 2011 Impala
2007 - 2011 Silverado
2007 - 2011 Suburban
2007 - 2011 Tahoe
2009 - 2015 Traverse

GMC:
2007 - 2015 Acadia
2009 - 2011 Savana
2007 - 2011 Sierra
2007 - 2011 Yukon

HUMMER:
2008 - 2009 H2

SATURN:
2009 - 2010 Outlook

NOTE:
This Interface DOES NOT offer Force RVC.

VIDEO IN-MOTION ACTIVATION FOR SELECT GENERAL MOTORS LAN 29-BIT VEHICLES

We recommend reading this installation guide first before starting any work. Following these instructions from "Start" to "Finish" will ensure a smooth and hassle free installation. We offer telephone support M-F 9:00 AM - 5:00PM PDT at 1 (855) 822-1348. We are here to help.

PARTS INCLUDED:

- (1) GM-94 Interface
- (1) GM-94 Harness
- (1) Instruction

PRECAUTIONS:

- Remove the negative side of the battery to avoid any short circuits during the installation.
- Do not install the interface near any major components or near the HVAC system. This may cause damage or overheating to the vehicle.
- Do not disconnect the airbag connection behind the radio panel.

PRELIMINARY:

Please read the entire manual before installing this interface. Vehicle must be equipped with factory DVD changer. This interface does not activate DVD reader.

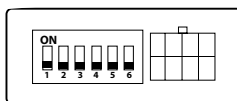
SAFETY WARNING:
THIS INTERFACE IS DESIGNED TO ACTIVATE VIDEO IN-MOTION TO ALLOW THE PASSENGER ACCESS TO THE ADDRESS INPUT WHILE THE VEHICLE IS IN-MOTION. THIS INTERFACE MAY CAUSE AN ERROR WHEN SERVICED AT THE OEM DEALER. BE AWARE THAT MOST DEALERS WILL ATTEMPT TO VOID THE MANUFACTURERS WARRANTY WHEN INSTALLING ANY AFTERMARKET EQUIPMENT. IMPROPER USE OF THIS INTERFACE BY THE DRIVER MAY RESULT IN CITATION. DRIVER MUST KEEP FULL ATTENTION ON THE ROAD AND TAKE RESPONSIBILITY ON THE SAFETY OF THEIR PASSENGERS.

INSTALLING THE INTERFACE:

1. Remove the factory radio to gain access to the factory connectors.
2. Remove the 14 and 16-Pin connectors from behind the radio.
3. Make the T-Harness connections behind the factory radio.
(if the connectors do not match please contact tech support)
4. Set the dip switches to permanently activate the VIM feature.
5. Test the Navigation address input while the car is in-motion to verify the VIM is active.

SETTING THE DIP SWITCHES

Dip 1: This dip switch is the permanent solution for keeping the VIM unlocked.

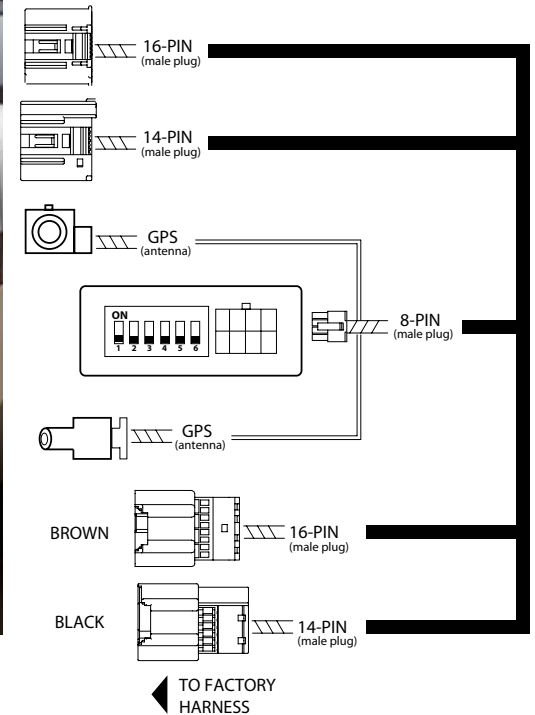


ALL OTHER DIP SWITCHES MUST BE SET TO OFF!

SETTING DIP SWITCH TO "ON" WILL DISABLE THE SIDE MIRROR CONTROLS.

TO KEEP THE CONTROLS ACTIVE LEAVE THE DIP SWITCH OFF.

INSTALLATION OVERVIEW



WHEN TO USE THE GPS ANTENNA OPTION

The attached GPS antenna is to be used if the interface is having problems with the Video In-Motion feature while the vehicle is moving.

Not every vehicle will need to have this GPS harness connected.



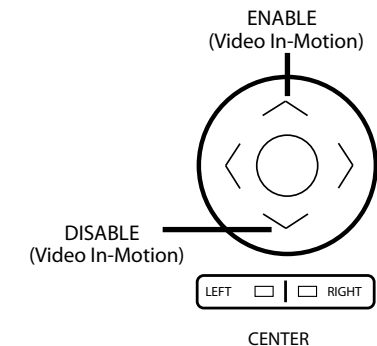
We recommend leaving the cable disconnected during the install. Test the VIM while driving and if no issues with the VIM staying active, leave the GPS antenna alone. Only when the VIM deactivates while the vehicle is in motion, then you connect the GPS antenna.

ACTIVATE AND DEACTIVATE OPERATION

Using the side mirror control you can activate and deactivate the VIM and the Forced RVC while driving. Actions will be confirmed with a "HIGH" or "LOW" tone sound.

High Tone = Activated
Low Tone = Deactivate

For Video In-Motion:
Press the UP arrow to enable the VIM.
Press the DOWN arrow to disable the VIM.



Side mirror control must be set in the center in order to use the functions. Indicator lights must be OFF.

TROUBLE SHOOTING

1. No video display while driving.
- Make sure the dip switches are in the proper location.



VIMG-94



VIDEO IN-MOTION ACTIVATION FOR SELECT GENERAL MOTORS LAN 29-BIT VEHICLES

COMPATIBLE RADIOS:

BUICK:
2008 - 2013 Enclave
2008 - 2011 Lucerne

CADILLAC:
2006 - 2010 DTS
2007 - 2013 Escalade

CHEVROLET:
2007 - 2011 Avalanche
2011 - 2011 Express
2011 - 2011 Impala
2007 - 2011 Silverado
2007 - 2011 Tahoe
2007 - 2011 Tahoe
2009 - 2013 Traverse

GMC:
2007 - 2013 Acadia
2009 - 2011 Savana
2007 - 2011 Yukon

HUMMER:
2008 - 2009 H2

SATURN:
2009 - 2010 Outlook



8" NEW STYLE NAVIGATION RADIO
(2-PIECE RADIO)



7" OLD STYLE NAVIGATION RADIO
(1-PIECE RADIO)