

Vehicle Applications

DODGE

2016 Charger (with 8.4" screen)
2014 – 2016 Durango

JEEP

2014 – 2016 Grand Cherokee

RAM

2013 – 2016 1500
2013 – 2016 2500
2013 – 2016 3500

NOTES:

1. Not compatible with RAM vehicles that are equipped with a factory-installed cargo camera.
2. Not compatible with diesel powered trucks.

Navigation / Radio Compatibility

Uconnect 8.4" Screen with 52-Pin connector
Uconnect 5" Screen 6-button/2-knob with 52-Pin connector
Uconnect 4.3" Screen 6-button/2-knob with 52-Pin connector

Parts Included

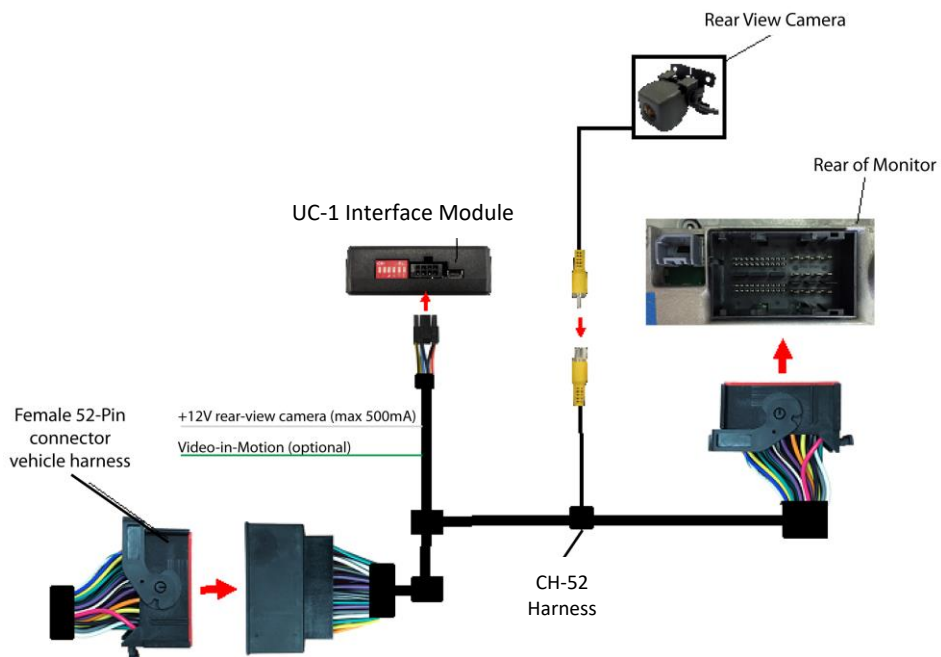


UC-1 Interface Module



CH-52 Harness

Wiring Diagram



Installation Instructions

DIP Switch Setting

Vehicle/ navigation	DIP 1	DIP 2	DIP 3	DIP 4	DIP 5	DIP 6
Video-in-motion permanent	ON	ON	OFF	OFF	OFF	OFF
Video-in-motion selective*	OFF	ON	OFF	OFF	OFF	OFF

*With DIP# 1 set to OFF, the green wire is used to activate selective video-in-motion function.

DIP switch functions of the UC-1

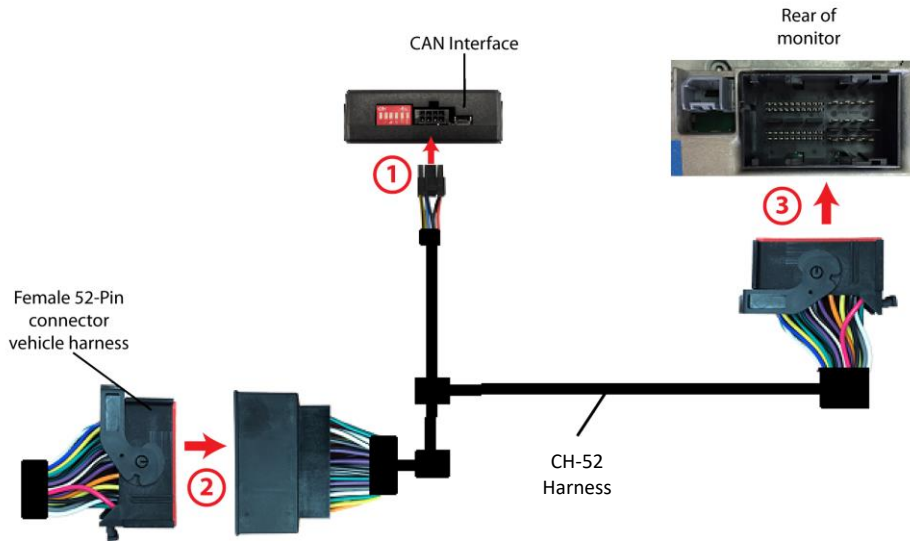
- DIP 1 – Activate Video in Motion
- DIP 2 – Activate Rear-view camera
- DIP 3 – no function
- DIP 4 – no function
- DIP 5 – CAN-bus termination resistor on the vehicle side
- DIP 6 – CAN-bus termination resistor on the head-unit side

Pin-assignment (8pin Molex)

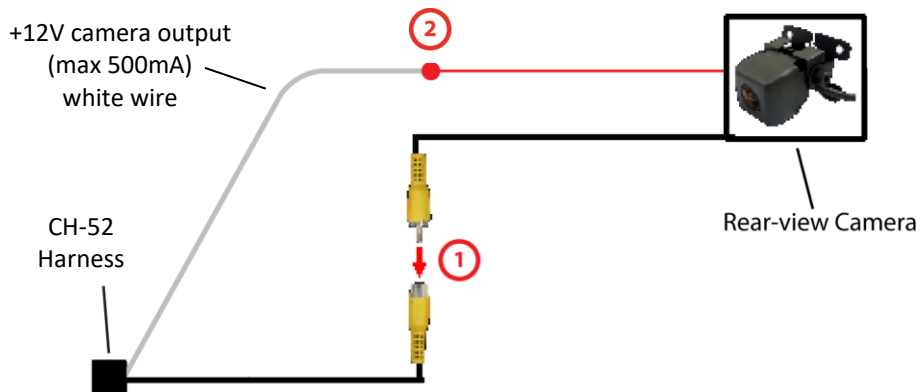
Cable colour	Pin-No.	Assignment
● Yellow	Pin 4	CAN-HIGH – connection to the head-unit
● Blue	Pin 3	CAN-LOW – connection to the head-unit
●● Yellow/Black	Pin 8	CAN-HIGH – connection to the vehicle
●● Blue/Black	Pin 7	CAN-LOW – connection to the vehicle
● Red	Pin 1	+12V Constant
● Black	Pin 5	Ground
● Green	Pin 6	Activation of the video-in-motion function (+12V =Video in Motion, only if DIP1=OFF)
● White	Pin 2	Reverse Trigger output (+12V DC 500mA) (only if DIP2=ON and reverse gear engaged)



Connecting the CAN interface to the factory navigation



- ① Connect female 8-pin Molex connector of harness CH-52 to male 8pin Molex connector of CAN Interface.
- ② Transfer female 52-pin connector of vehicle harness from rear of the head-unit into male 52-pin connector of harness CH-52.
- ③ Plug female 52-pin connector of harness CH-52 into male 52-pin connector on the rear of the head-unit.



Connections to rear-view camera

- ① Connect the video RCA of the rear-view camera to the female RCA connector of the harness CH-52.
- ② Connect the white wire of harness CH-52 to the camera power supply (+12V max 500mA). The white wire gets power when the reverse gear is engaged.



Coding of the rear-view camera

1. Set DIP switch #2 to "OFF" position.
2. Turn on ignition.
3. Wait until the head-unit has booted.
4. Set DIP switch #2 to "ON" position.
5. After a short time, the system will reset and the coding operation is complete.
6. Put the gear in reverse to test the camera.

Alternative coding procedure of the rear-view camera

If the coding procedure above fails to code the radio properly (e.g. in 2016 RAM trucks), follow the alternative coding procedure below:

- 1) Turn key off and remove the key from ignition.
- 2) Open the driver door then close it (make sure all doors, lift gate and hood are also closed).
- 3) Look at the module and wait for LEDs to turn off then disconnect the module.
- 4) Before plugging back the module, turn all DIP switches to ON then OFF.
- 5) Set DIP switches 1 (if permanent VIM is desired), 2 and 6 to the ON position.
- 6) Reconnect module and wait for the LEDs to turn off.
- 7) Start up engine and the coding operation is complete.
- 8) Put the gear in reverse to test the camera.

Activation of rear-view camera

The rear-view camera activate automatically whenever the reverse gear is engaged.

Activation of the video-in-motion function

The video-in-motion can be activated and deactivated by DIP 1 or alternatively by the included loose green cable in connection with a toggle switch (not included).

Video-in-motion permanent

Set DIP 1 to ON for the video-in-motion function to be activated permanently without disrupting the navigation performance.

Video-in-motion selective

Set DIP# 1 to OFF and use the green wire to activate the video-in-motion function.

Connect a toggle switch between a +12V ACC source and the green wire.

- +12V = Video in Motion is activated
- 0V = Video in Motion is not activated



