

PRODUCT FEATURES:

- Plug and Play Connections for ease of use.
- Offers video in motion capability for passenger use at any time.

NOTES:

- 1) Not compatible with Ram vehicles that are equipped with factory installed cargo camera.
- 2) Not compatible with diesel powered trucks.

PARTS INCLUDED:



RVCCH-75D MODULE

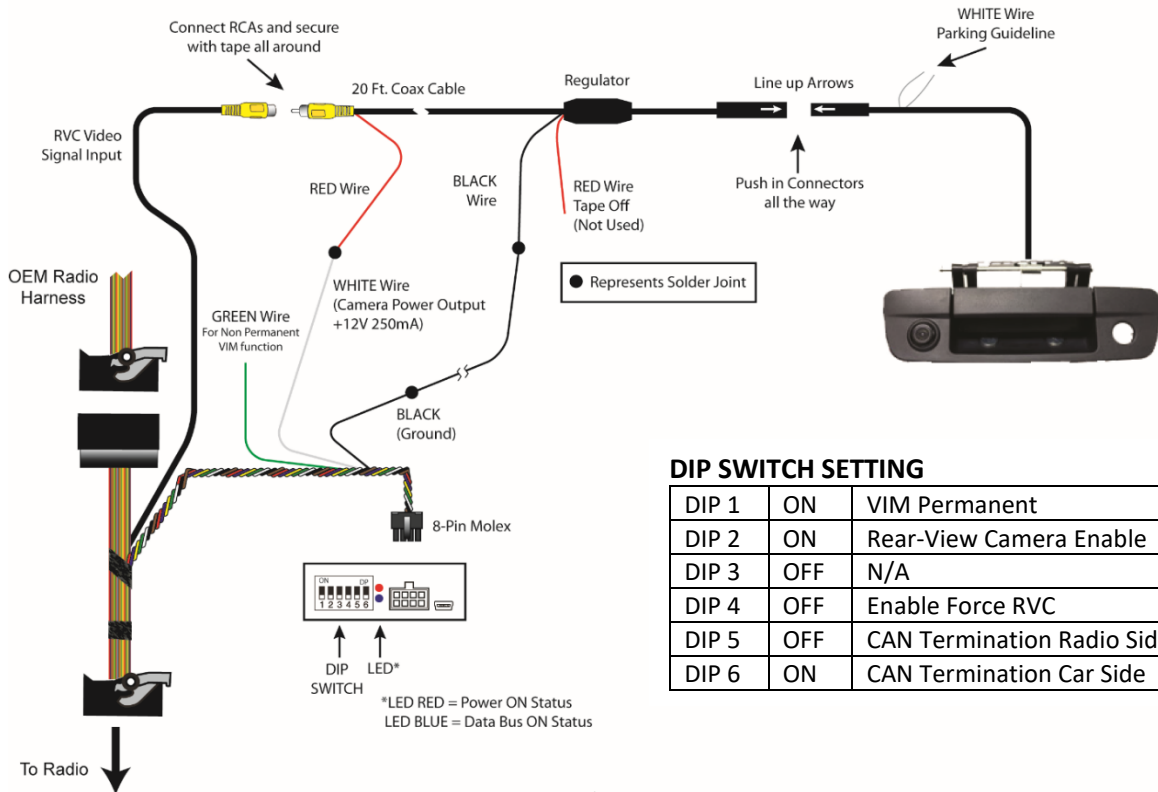


RVCCH-75D HARNESS (2620)



TAILGATE HANDLE
 CAMERA (CDR-02)

INSTALLATION DIAGRAM:



DIP SWITCH SETTING

DIP 1	ON	VIM Permanent
DIP 2	ON	Rear-View Camera Enable
DIP 3	OFF	N/A
DIP 4	OFF	Enable Force RVC
DIP 5	OFF	CAN Termination Radio Side
DIP 6	ON	CAN Termination Car Side



INSTALLATION:

INSTALLING THE CAMERA AND CABLE

1. Remove the OE tailgate handle.
2. Remove the OE lock cylinder and install in the CDR-02 camera housing.
3. Install the new tailgate handle and run the cables to the radio.
4. Remove the factory radio to gain access to the factory connectors.
5. Route the wires towards the radio and make the power and video connections. For powering up the camera, use the 12V OUTPUT (**White Wire**). (See Wiring Diagram above)
6. Test the camera before re-installing the radio.

CODING THE RADIO FOR A REAR VIEW CAMERA:

The radio has to be coded to accept a reverse camera. Please follow the coding procedure below:

- 1) Turn key off and remove the key from ignition.
- 2) Open the driver door then close it (make sure all doors, lift gate and hood are also closed).
- 3) Look at the module and wait for LEDs to turn off then disconnect the module.
- 4) Before plugging back the module, turn all DIP switches to ON then OFF.
- 5) Set DIP switches 1 (if permanent VIM is desired), 2 and 6 to the ON position.
- 6) Reconnect module and wait for the LEDs to turn off.
- 7) Start up engine and the coding operation is complete.
- 8) Put the gear in reverse to test the camera.

Forced Camera Feature:

The Force RVC is used to view the back-up camera when the vehicle is not in reverse gear. Allows you to view what is in the back while driving. To activate this feature, make sure that DIP 4 is set to ON. Press the center button once on the left hand side steering wheel control (located behind the steering wheel).



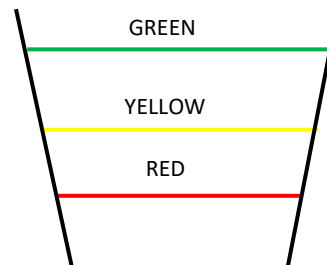
NOTE: The camera is defaulted to power down after 10 seconds.

PARKING LINES:

The parking lines are there to assist you while reversing. To activate the parking lines simply connect the WHITE loop wire located near the 4 pin camera connector.

What the Lines mean:

- Green Line: CLEAR
- Yellow Line: GETTING CLOSE
- Red Line: WARNING - VERY CLOSE



VEHICLE APPLICATIONS:

RAM

2013 – 2017	1500
2013 – 2017	2500
2013 – 2017	3500

NOTE: Not compatible with diesel powered trucks.

COMPATIBLE RADIO:

Uconnect Radios.



8.4" Screen with Separate Knobs



5" Screen with 6 Buttons & Separate Knobs



4.3" Screen with 6 Buttons & 2 Knobs

NOT COMPATIBLE RADIO



4.3" Screen with 4 Buttons & 2 Knobs

