

## Vehicle Applications

### CHRYSLER

2011 - 2014	200	2007 - 2011	Sebring
2008 - 2010	300/300C	2008 - 2017	Town & Country
2008 - 2010	Aspen		

### DODGE

2007 - 2015	Avenger	2008 - 2012	Dakota
2010 - 2012	Caliber	2008 - 2013	Durango
2008 - 2017	Caravan	2009 - 2010	Journey
2009 - 2014	Challenger	2007 - 2012	Nitro
2008 - 2010	Charger		

### JEEP

2008 - 2010	Commander	2008 - 2015	Liberty
2009 - 2017	Compass	2009 - 2017	Patriot
2008 - 2013	Grand Cherokee	2007 - 2017	Wrangler

### RAM

2009 - 2012	Ram
-------------	-----

### VOLKSWAGEN

2009 - 2013	Routan
-------------	--------

## Navigation / Radio Compatibility

- MYGIG Radio

## Notes

1. Not compatible if Factory RSE is installed.
2. Not compatible if Factory Rear-View Camera is installed.
3. Does not supply Reverse Trigger on Manual Transmissions. Camera power must be tapped to reverse light wire.

## Parts Included



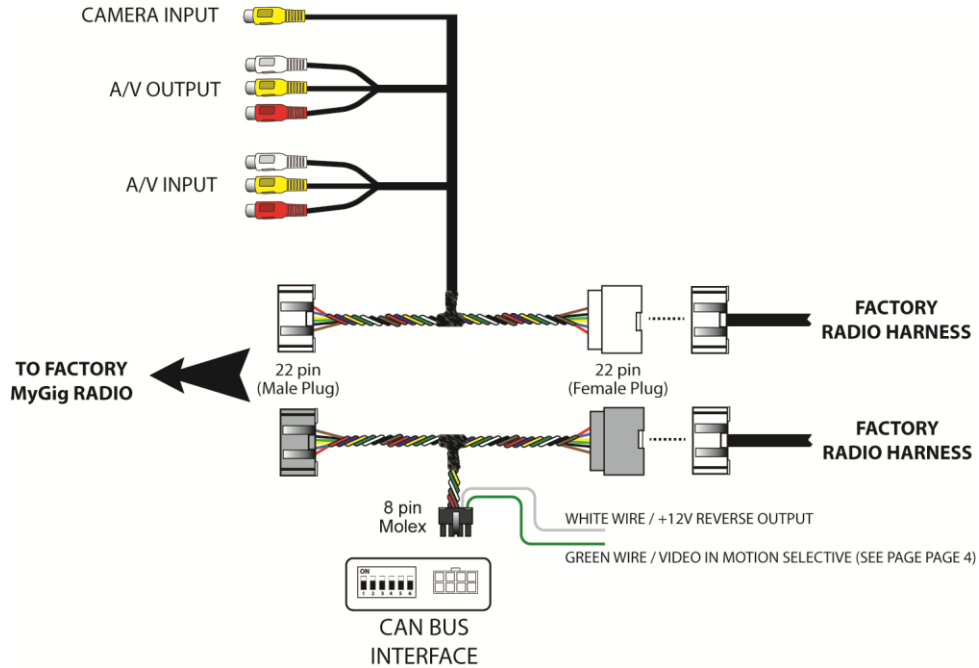
MG-3  
CAN Interface



MG-3 Harness



**Wiring Diagram**



**NOTE:** Does not supply Reverse Trigger on Manual Transmissions. Camera power must be connected to the factory +12V reverse light wire instead.

**Installation Instructions**

**DIP Switch Setting**

DIP	Function
1      ON	Activate Video in Motion
2      ON	Activate rear-view camera
3      OFF	Not Used
4      OFF	Not Uses
5 & 6   OFF	CAN-Termination (Default to OFF)



## Installation Example on a Chrysler 300C

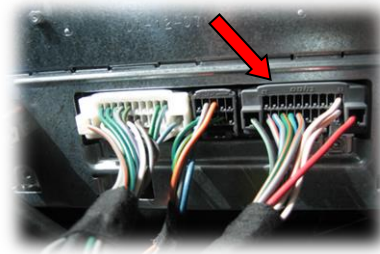
1. Remove the front panel from the center console, which is attached by multiple clips.



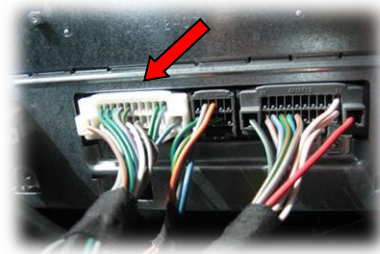
2. Remove the 4 TORX screws and pull the headunit out of the dashboard.



3. Remove the gray 22-pin male connector from the back of the headunit and plug it to gray 22-pin female connector on the MG-3 T-harness . Connect the gray 22-pin male connector of the MG-3 T-harness to the factory radio harness.

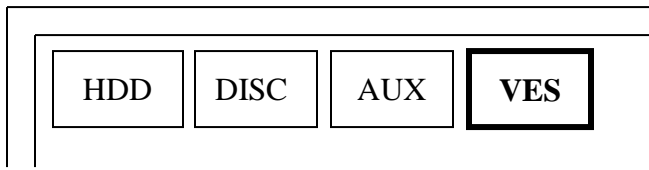


4. Remove the white 22-pin male connector from the back of the headunit and plug it to white 22-pin female connector on the MG-3 T-harness . Connect the white 22-pin male connector of the MG-3 T-harness to the factory radio harness.



## SWITCHING SOURCE INPUTS

1. Press **RADIO/MEDIA** button;
2. Tap **VES** on the screen;
3. Tap **AUX IN 1** to select the interface as current AV-source.



**NOTE:** The VES button is only active after the interface is installed.

**Note:** The interface switches automatically to an installed rear-view camera when reverse gear is engaged.

### Activation of rear-view camera

The rear-view camera activate automatically whenever the reverse gear is engaged.

### Activation of the video-in-motion function

The video-in-motion can be activated and deactivated by DIP 1 or alternatively by the included loose green cable in connection with a toggle switch (not included).

### Video-in-motion permanent

Set DIP 1 to ON for the video-in-motion function to be activated permanently without disrupting the navigation performance.

### Video-in-motion selective

Set DIP# 1 to OFF and use the green wire to activate the video-in-motion function.

Connect a toggle switch between a +12V ACC source and the green wire.

- +12V = Video in Motion is activated
- 0V = Video in Motion is not activated

