

VEHICLE APPLICATIONS:

CHRYSLER		JEEP	
2016	300	2014 – 2015	Grand Cherokee
DODGE		RAM*	
2014 – 2015	Durango	2014 – 2016	1500
		2014 – 2016	2500
		2014 – 2016	3500

*NOTE: Not compatible with diesel powered trucks.

PRODUCT FEATURES:

- Provides a composite A/V input to the factory radio.
- Includes HDMI to composite adaptor cable for smartphone mirroring.
- Plug and Play Installation

NOTES:

- Vehicle must have factory audio AUX input.
- Not compatible with Navigation radios.

PARTS INCLUDED:



AVICH-03 CAN MODULE



AVICH-03 Harness



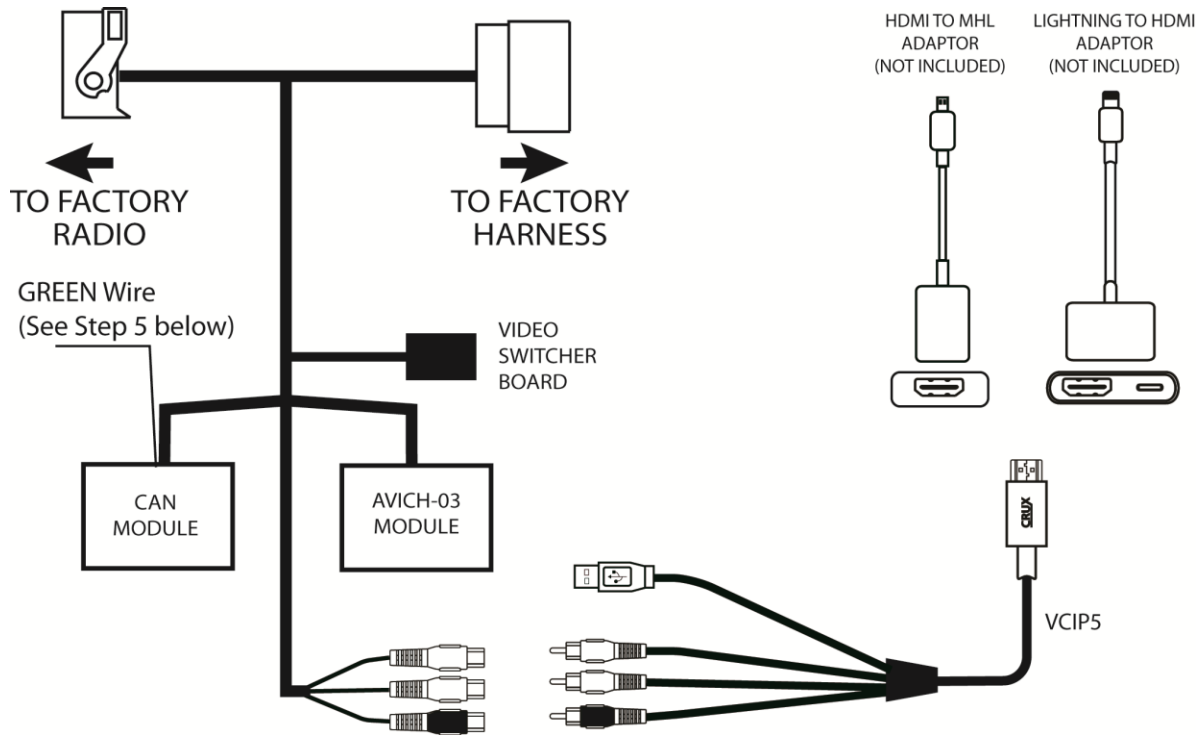
AVICH-03 VIM MODULE



VCIP5 HDMI Conversion Cable



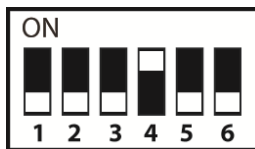
INSTALLATION DIAGRAM:



INSTALLATION INSTRUCTIONS:

1. Remove the factory radio from the dashboard and unplug the connectors behind the radio.
2. Mate the T-Harness connections to the factory connectors. (Make sure all connectors are properly seated into the interface and into the radio.)
3. On the CAN Module, set DIP switch #4 to ON to enable the AV Input.
4. Connect the audio and video source to the female RCAs on the AVICH-03 T-Harness.
5. Switch to the new AV input by pressing the BACK button on the radio or the middle button on the steering wheel controls behind the left side of the steering wheel. (See page 3) (If the radio does not have a BACK button use the GREEN wire option to toggle the AV source by connecting it to +12V. We recommend using a toggle switch to use this feature.)
6. Test the system before putting back the radio.

Make sure the DIP#4 is set to the ON position. This sets the programming to the vehicle.



DIP 1	OFF	Not Used		
DIP 2	OFF	Not Used		
DIP 3	OFF	Not Used		
DIP 4	ON	AV Input Enable	OFF	AV Input Disable
DIP 5	OFF	CAN Termination Radio Side		
DIP 6	OFF	CAN Termination Car Side		

NOTES:

1. Set DIP#6 to ON if you experience the radio freezing or not responding properly.



SWITCHING TO THE A/V INPUT

Press the BACK button once to switch to the AV source.



On some vehicles, there is a SWC control switch behind the left side of the steering wheel. Press the middle button to switch to the A/V source.



NOTE: If there is no video signal flowing through the AV input, there will be a BLUE screen present. To exit, simply press the BACK or SWC button again.

COMPATIBLE RADIOS:



8.4" Uconnect Radio (1-Piece Radio)



5" Uconnect Radio (1-Piece Radio)

