

**PRODUCT FEATURES:**

- Retains functionality of Factory-installed Navigation System for passenger access at anytime
- Allows onscreen access to Factory Bluetooth Keypad\*
- Allows for Navigation Destination Address Entry at anytime\*
- Designed for OEM equipment only

\*Subject to capability of Factory-installed Navigation System.

**PARTS INCLUDED:**



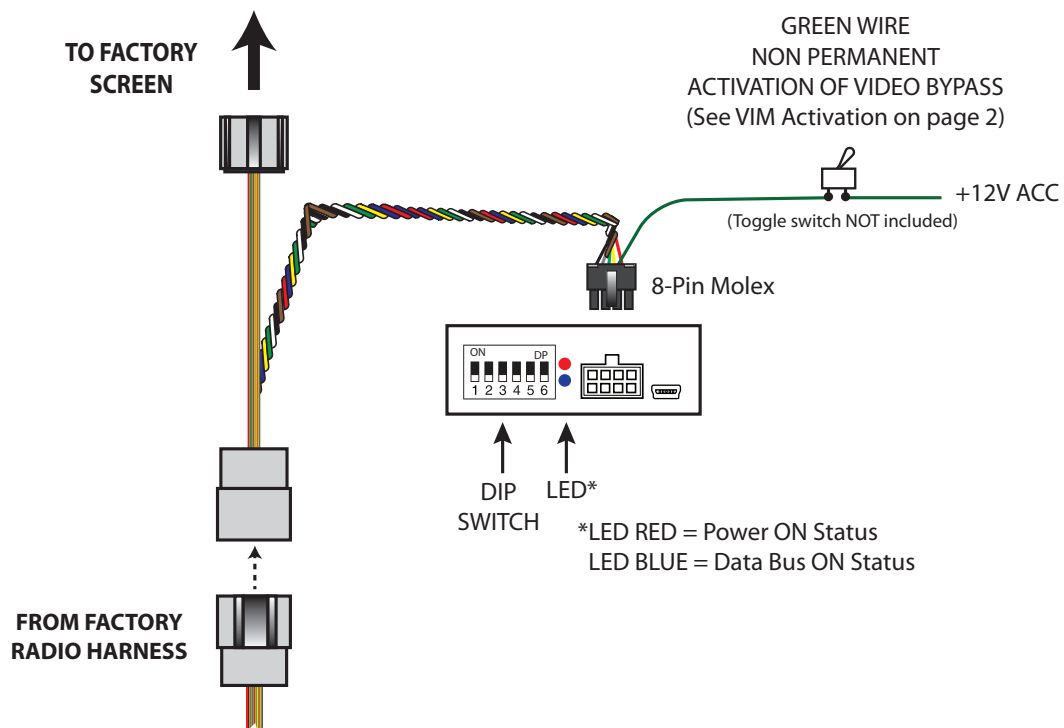
VIMVL-98A MODULE



VIMVL-98A HARNESS

**INSTALLATION DIAGRAM:**

Installation of the VIMVL-98A is done at the factory navigation screen 16 pin connector.



**DIP SWITCH SETTINGS:**

DIP#	DIP#1	DIP#2	DIP#3	DIP#4	DIP#5	DIP#6
Vehicles <b>WITHOUT</b> extra equipment (lane pilot, distance assistant, city safety system), V40 (model year 2013)	<b>ON</b>	OFF	OFF	OFF	<b>ON</b>	<b>ON</b>
Vehicles <b>WITH</b> extra equipment (lane pilot, distance assistant, city safety system)	OFF	OFF	OFF	OFF	<b>ON</b>	<b>ON</b>

**VIM ACTIVATION:**

Lane pilot, distance assistant and city safety system will not work while VIM function is activated!

**Vehicles Without Extra Factory Equipment and V40 (model year 2013)**

On vehicles without extra factory equipment and V40 (model year 2013) set DIP#1 to **ON**. The video-in-motion function is activated permanently without disturbing the navigation performance.

The loose GREEN wire is not used and must be insulated.

**Vehicles With Extra Factory Equipment**

On vehicles with extra factory equipment set DIP#1 to **OFF**. Use the GREEN wire on the VIMVL-98A harness to activate the video-in-motion function.

Connect a toggle switch between the GREEN wire and +12V ACC power:

- +12V = VIM is activated
- 0V = VIM is not deactivated

**NOTE:** As long as the video-in-motion function is activated, the navigation will NOT work!

**VEHICLE APPLICATIONS:**

Compatible with RTI 2011 Navigation System

**VOLVO**

- 2011-2013 S Series
- 2011-2013 V Series
- 2011-2013 XC60
- 2011-2013 XC70

