

PRODUCT FEATURES:

- Interface includes Audio / Video Input to connect an extra A/V source.
- Universal Lip mount reverse camera included.
- Activates MYGIG Screen for enabling Video features.
- Plug and Play Connections for ease of use.

RADIO COMPATIBILITY:

- MyGig Navigation Radio

PARTS INCLUDED:



RVCCH-75 MODULE

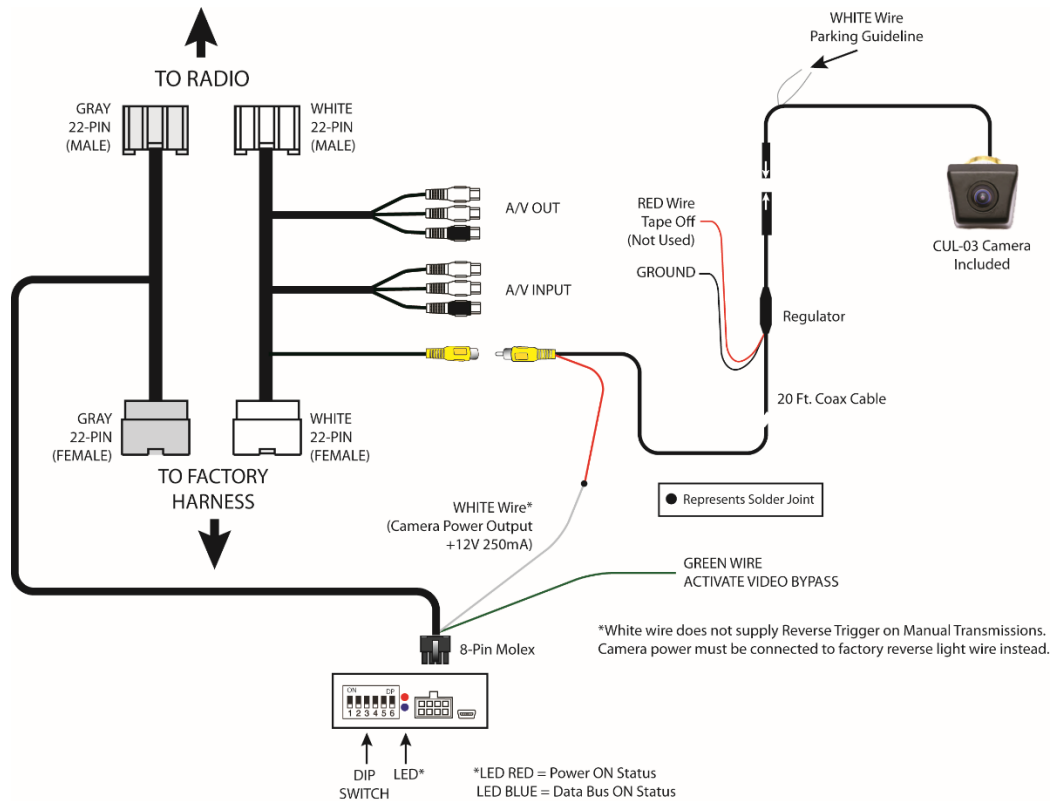


RVCCH-75 HARNESS



CUL-03 CAMERA

INSTALLATION DIAGRAM:



INSTALLATION:

INSTALLING THE CAMERA AND INTERFACE

1. Remove the rear panel and drill a 5/8" hole to mount the CUL-03 camera.
2. Connect the video cable of the camera to the extension cord provided.
3. Cut the thin white wire on the camera cable to enable the parking guide lines. Connect to disable.
4. Fish the cable through the drilled hole and route it towards the radio.
5. Remove the factory radio to gain access to the factory connectors.
6. Plug in the T-harness with WHITE and GRAY connectors. (See Wiring Diagram above)
7. Connect the 8-pin Molex connector from the T-harness with GRAY connectors to the CAN Interface.
8. Use the WHITE 12V Reverse Output wire to power the camera. (See Wiring Diagram above)
 Please note that the WHITE 12V Reverse Output wire does not supply power on vehicles with manual transmission. Connect the camera power to the OE reverse light +12V wire instead.
9. Plug in the YELLOW MALE RCA from the camera cable to the YELLOW FEMALE RCA of the T-Harness with WHITE connectors.
10. Set the proper DIP Switch settings on the RVCCH-75 module. (See chart next page)
11. Test the camera before re-installing the radio.

DIP SWITCH SETTINGS:

The RVCCH-75 has a feature that enables a permanent or a non-permanent VIM function. To set VIM to permanent, set DIP#1 to ON. To set to non-permanent, set DIP#1 to OFF and connect the GREEN wire to +12V using a toggle switch (not included). Set DIP#2 to ON to enable the rear-view camera.

DIP SWITCH SETTING

DIP 1	OFF	VIM Disable
DIP 2	ON	Rear-View Camera Enable
DIP 3	OFF	NOT Used
DIP 4	OFF	NOT Used
DIP 5	OFF	CAN Termination Radio Side
DIP 6	ON	CAN Termination Car Side



LED STATUS:

The RVCCH-75 module has 2 LEDs on the side of the Molex connector that confirms its functionality as follows:

- RED LED = Confirms Power
- BLUE LED: PULSING = No BUS, Pending Data
- OFF = Complete Power Down
- SOLID = BUS Recognized

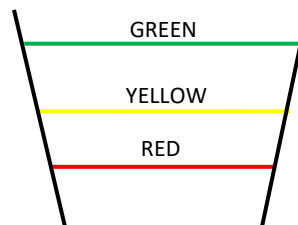


PARKING LINES:

The parking lines are there to assist you while reversing. To activate the parking lines simply cut/disconnect the WHITE loop wire located near the 4-pin camera connector.

What the Lines mean:

- Green Line: CLEAR
- Yellow Line: GETTING CLOSE
- Red Line: WARNING - VERY CLOSE



SWITCHING SOURCES:

VES will be your source for the AV Input.



To access the VES button, press the RADIO/MEDIA button on the left side of the radio. The VES button is only active after the interface is properly installed.

VEHICLE APPLICATIONS:

CHRYSLER

- 2011 – 2014 200
- 2008 – 2010 300/300C
- 2008 - 2010 Aspen
- 2007 – 2011 Sebring
- 2008 – 2017 Town & Country

JEEP

- 2008 – 2010 Commander
- 2008 – 2016 Compass
- 2008 – 2013 Grand Cherokee
- 2008 – 2015 Liberty
- 2009 – 2017 Patriot
- 2007 – 2017 Wrangler

DODGE

- 2007 – 2015 Avenger
- 2010 – 2012 Caliber
- 2008 – 2017 Caravan
- 2009 – 2014 Challenger
- 2008 – 2010 Charger
- 2008 – 2012 Dakota
- 2008 – 2013 Durango
- 2009 – 2010 Journey
- 2007 – 2012 Nitro
- 2009 – 2012 Ram

VOLKSWAGEN

- 2009 – 2013 Routan

