

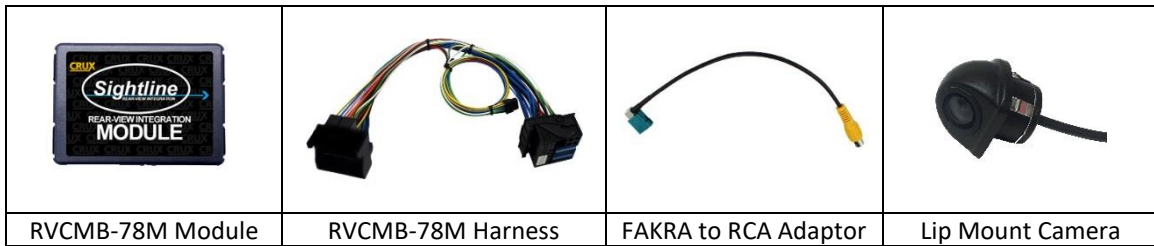
PRODUCT FEATURES:

- No Dealer programming required.
- Activates the Rear-View Camera function of the Mercedes Benz Audio 15 radio.
- Includes lip mount camera.

NOTES:

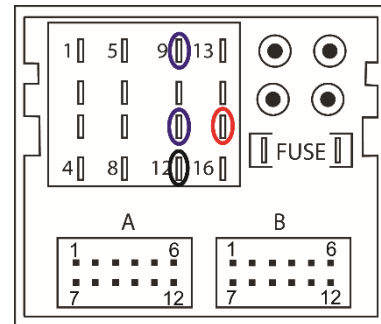
- Compatible with NTSC cameras only.

PARTS INCLUDED:



Pin assignment of factory Quadlock connector:

Assignment	Pin No.
+12V battery	Pin 15
Ground	Pin 12
CAN-low	Pin 9
CAN-high	Pin 11



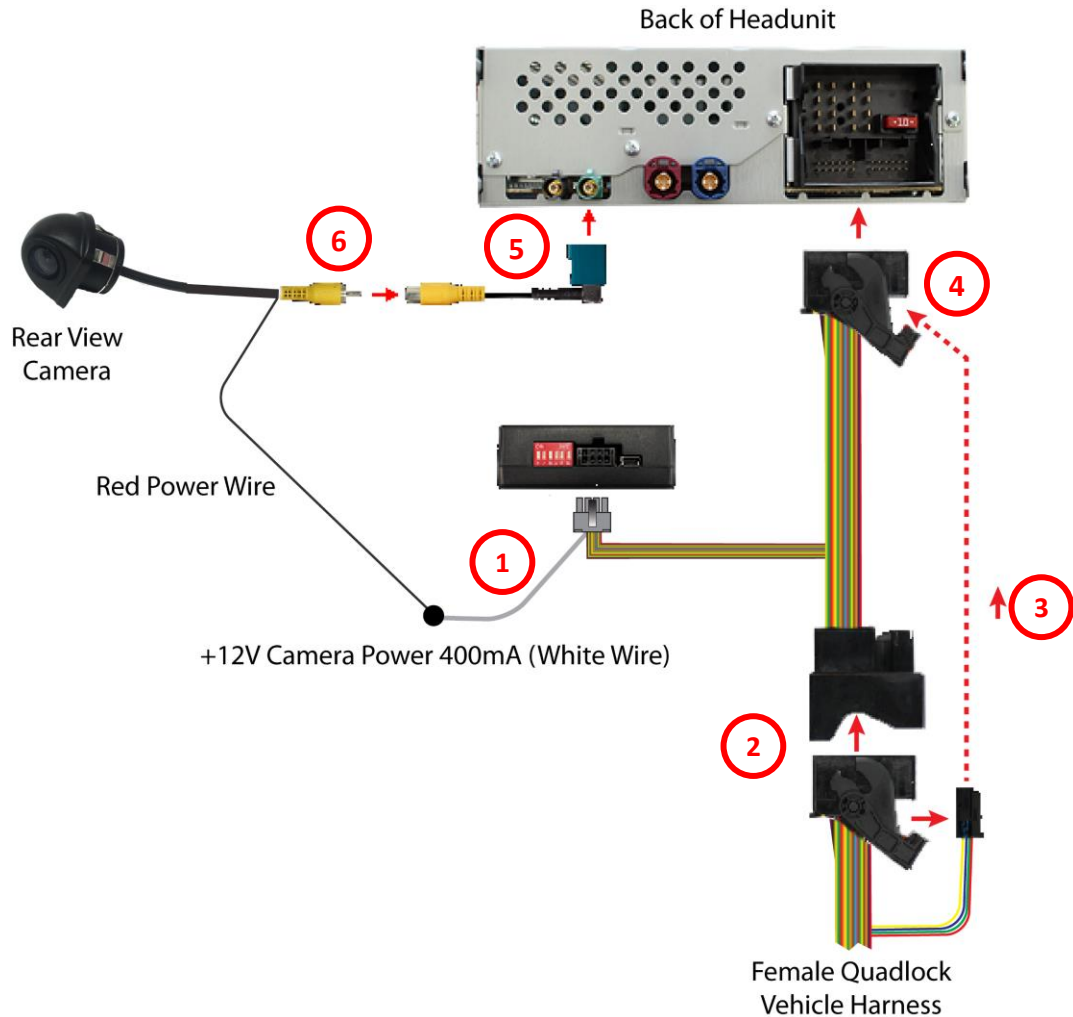
Please note that the given information must be verified by the installer. Crux Interfacing assumes no liability for changes in wire color or pin assignments made by the vehicle manufacturer.

Pin assignment of RVCMB-78M 8-Pin Molex connector:

Cable color	Pin-No.	Assignment
● Yellow	Pin 4	CAN-HIGH – connection to the head-unit
● Blue	Pin 3	CAN-LOW – connection to the head-unit
●● Yellow/Black	Pin 8	CAN-HIGH – connection to the vehicle
●● Blue/Black	Pin 7	CAN-LOW – connection to the vehicle
● Red	Pin 1	+12V Constant
● Black	Pin 5	Ground
● White	Pin 2	+12V rear view camera power (max. 400mA)



INSTALLATION DIAGRAM:



1. Connect female 8-pin Molex connector of the RVCMB-78M T-harness to male 8-pin Molex connector on the RVCMB-78M module.
2. Unplug the female Quadlock connector of the vehicle harness from the rear of the head unit and connect it to the male Quadlock connector of RVCMB-78M T-harness.
3. Remove the two 12-pin Quadlock plug inserts from the female Quadlock connector of the vehicle harness and insert them into the same position on the female Quadlock connector of the RVCMB-78M T-harness.
4. Plug female Quadlock connector of the RVCMB-78M T-harness to the male Quadlock connector of the head unit.
5. Plug the FAKRA to RCA adaptor cable to the GREEN FAKRA connector on the radio.
6. Plug the camera's extension cable to the FAKRA to RCA adaptor and run the cable to the back of the vehicle. Use the WHITE wire to power the camera (see diagram above).
7. Install the lip mount camera at the back of the vehicle next to the license plate light.



DIP SWITCH SETTINGS:

Vehicle/ Navigation	DIP 1	DIP 2	DIP 3	DIP 4	DIP 5	DIP 6
Camera Coding	ON	OFF	OFF	OFF	ON	ON
Camera Decoding	OFF	OFF	OFF	OFF	ON	ON

DIP Switch functions:

- DIP 1 – Camera coding
- DIP 2 – no function
- DIP 3 – no function
- DIP 4 – no function
- DIP 5 – CAN-bus termination resistor on the vehicle side
- DIP 6 – CAN-bus termination resistor on the head-unit side

CAMERA CODING AND DECODING:

Rear-view camera coding

1. Set DIP switch# 1, 5, 6 to ON (2, 3, 4 = OFF).
2. Turn ignition on (Note: Do not start engine).
3. Wait until the radio has booted.
4. Shift to reverse gear (“Diag” appears on the screen and after a short time, the radio turns off).
5. Turn on the radio back on manually (press ON button).
6. The coding process is now complete.
7. Shift to reverse gear and verify that the camera image shows on the screen.

Rear-view camera decoding

1. Set DIP switch# 5 and 6 to ON (1, 2, 3, 4 = OFF)
2. Turn ignition on (Note: Do not start engine).
3. Wait until the radio has booted.
4. Shift to reverse gear (“Diag” appears on the screen and after a short time, the radio turns off).
5. Turn on the radio back on manually (press ON button).
6. The decoding process is now complete.
7. Shift to reverse gear and verify that the camera image no longer shows on the screen.

LED INFORMATION:

LED	Status	Description
Blue	Solid	CAN bus communication OK
	Flashes	CAN bus search
Red	Solid	Rear-view camera is coded
	OFF	Rear-view camera is not coded

VEHICLE APPLICATIONS:

MERCEDES BENZ
2016 – 2017 Metris

