



# WVIFD-02F

**COMPATIBLE RADIO SYSTEM:**  
MyFord Touch Radio System\*

\* **Important Note: Vehicle must be equipped with Factory A/V Input for the kit to function.**

## FORD

- 2013 - 2015 F150
- 2013 - 2015 F150 Raptor
- 2013 - 2015 F250
- 2013 - 2015 F350
- 2013 - 2015 F450
- 2013 - 2015 F550

Installer must use Toggle Switch for VIM Control. (See page 3 on instruction sheet).

Activating the VIM will effect the GPS System. (May cause delay in location updates)

**WORKS FOR ALL:**  
MyFord Touch Radios

**NOTE: The radio system will go through a reboot process that may take up to 1 minute. It will initialize and re-load all previous settings. Once complete it will resume the original radio display.**

# Wi-Fi AUDIO/ VIDEO INTERFACE FOR SELECT F-SERIES TRUCKS 2011-UP

We recommend reading this installation guide first before starting any work. Following these instructions from "Start" to "Finish" will ensure a smooth and hassle free installation. We offer telephone support M-F 9:00 AM - 5:00PM PDT at 1 (855) 822-1348. We are here to help.

## PARTS INCLUDED:

- (1) WVIFD-02F Interface (C-125)
- (1) WVIFD-02F Interface (C-500)
- (1) WVIFD-02F T-Harness
- (1) WVI Wi-Fi Interface
- (1) Instruction

## PRECAUTIONS:

- Remove the negative side of the battery to avoid any short circuits during the installation.
- Do not install the interface near any major components or near the HVAC system. This may cause damage or overheating to the vehicle.
- **Do not disconnect the airbag connection behind the radio panel.**

## PRELIMINARY:

Please read the entire manual before installing this interface.

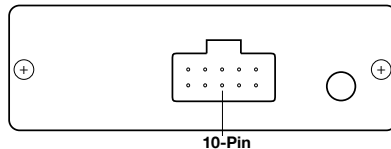
# INSTALLATION

### THE AV INTERFACE:

1. Remove the factory display to gain access to the factory connectors.
2. Remove the 54-Pin connector from behind the display.
3. Make the T-Harness connections behind the factory display. (if the connectors do not match please contact tech support)
4. Connect both Interfaces to an 8-Pin connector. No orientation.
5. Set the dip switches as needed on both interfaces. (See Setting The DIP Switches)

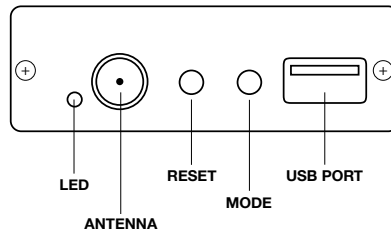
### THE Wi-Fi INTERFACE SEE PAGE 3 FOR GROUND

5. Connect the 10-Pin Power and AV cable to the Wi-Fi interface.



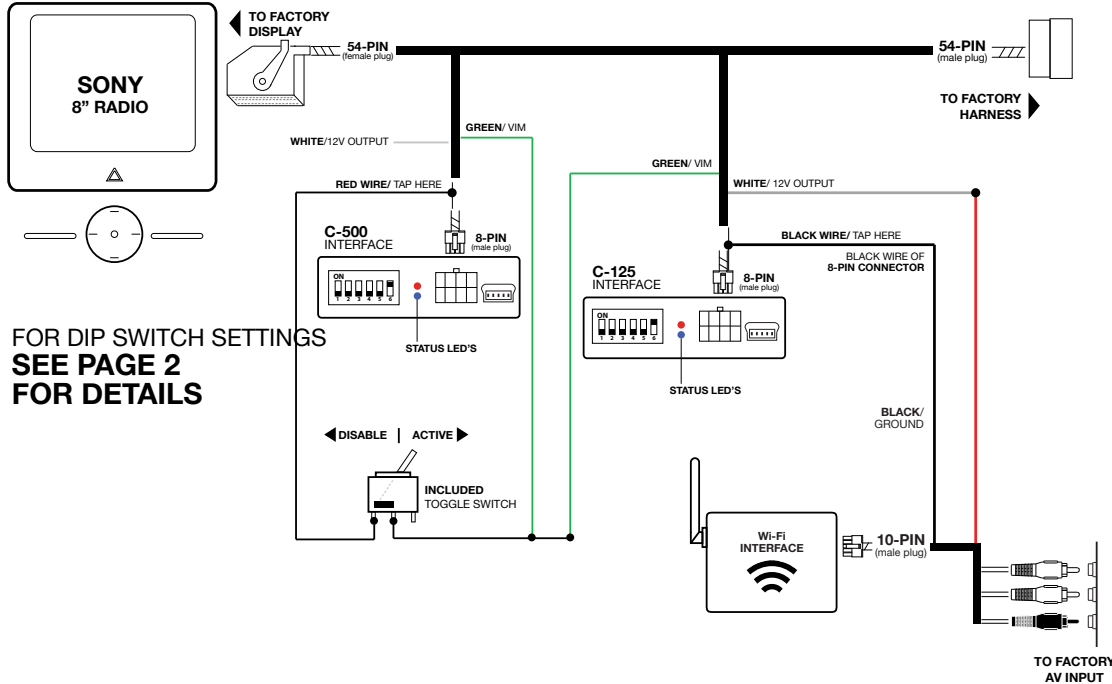
6. Connect the RED power lead to 12v and the BLACK wire to ground. **As an option we have provided a 12v output wire from our interface, as the vehicle does not provide 12v Acc 250ma.**
7. Screw on the Antenna to the interface and select the **MODE** of the system type you are connecting.

**Mode:** Press once to toggle between iOS and Android Systems.  
**Reset:** Press 1 Second = Reset/ Hold 5 Seconds = To Factory Defaults



8. Switch to the new AV input by using the SWC or a toggle switch.
9. Test the interface, then re-install the display into the dash.

## INSTALLATION OVERVIEW



## SETTING THE DIP SWITCHES

- Dip 1:** Activates the Video In-Motion feature. The dip switch is the permanent solution for keeping the VIM unlocked. The SWC/ Toggle Switch feature will be deactivated with it ON.
- Dip 2,3,4:** Not Used
- Dip 5:** Place to the OFF position on both interfaces.
- Dip 6:** Place to the ON position on both interfaces.

**INSTALLER MUST USE THE TOGGLE SWITCH INCLUDED TO ACTIVATE THE VIDEO IN-MOTION.**

**Activating the VIM will effect the GPS System. (May cause delay in location updates)**

## TROUBLE SHOOTING

1. No video display while driving.
  - Make sure the dip switches are in the proper location.



## WVIFD-02F

**COMPATIBLE RADIO SYSTEM:**  
MyFord Touch Radio System\*

\* **Important Note:** Vehicle must be equipped with Factory A/V Input for the kit to function.

### FORD

2013 - 2015 F150  
2013 - 2015 F150 Raptor  
2013 - 2015 F250  
2013 - 2015 F350  
2013 - 2015 F450  
2013 - 2015 F550

Installer must use Toggle Switch for VIM Control. (See page 3 on instruction sheet).

Activating the VIM will effect the GPS System. (May cause delay in location updates)

**WORKS FOR ALL:**  
**MyFord Touch Radios**

**NOTE:** The radio system will go through a reboot process that may take up to 1 minute. It will initialize and re-load all previous settings. Once complete it will resume the original radio display.

## Wi-Fi AUDIO/ VIDEO INTERFACE FOR SELECT F-SERIES TRUCKS 2011-UP

### SETTING THE DIP SWITCHES DETAILS:

#### PIN 1/ VIM CONTROL CONFIGURATION

DIP#	C-125	C-500	RESULT
Dip 1	OFF	OFF	User control of the VIM feature will be turned on using the Toggle Switch. See instruction for how to connect.
Dip 1	ON	ON	VIM Permanently on. No control on SWC or Optional Toggle Switch. Recommended for vehicles w/o factory GPS.

Dip 2	OFF	OFF	Not Used.
Dip 3	OFF	OFF	Not Used.
Dip 4	OFF	OFF	Not Used.
Dip 5	OFF	OFF	CAN Termination.
Dip 6	OFF	OFF	CAN Termination.

### CONNECTING TO THE WI-FI INTERFACE

#### SETTING UP YOUR DEVICE:

With the interface on and ready.



On the new iOS 7 you can easily do the following:  
Swipe your finger from the bottom up on the iPhone or iPad.  
From the Quick Menu turn ON the Wi-Fi and connect to "HotSpot".

After connecting the Wi-Fi, from that same screen select the AirPlay item to connect to the interface.

To turn on Mirroring, you will need to be connected to the interface and select the AirPlay item again, and turn on Mirroring option.

If your device doesn't support the iOS 7:

1. Settings > Wi-Fi > On
2. Choose Network > "Hot Spot"
3. After connected, double click the Home button to display your recently used apps.
4. Select the AirPlay icon to begin to mirror. (Wi-Fi must be connected).  
If no AirPlay icon, make sure your connected to Hot Spot.



For the Android systems, make sure you switch the MODE on the interface.

For Android devices you will need to know how to mirror or output your media. On Samsung, from the Home screen, swipe down from the top of the screen to access the Screen Mirroring item, then scan for the Hot Spot device. This can take up to 20 seconds.

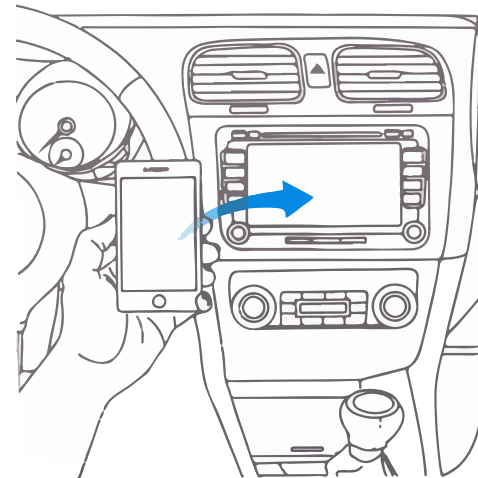
#### Wi-Fi TROUBLESHOOTING:

When exiting and coming back to the vehicle you may encounter a delay when re-connecting. If a separate Wi-Fi connection is made, you may need to manually reconnect.

#### MIRRORING:

The Mirroring connection uses a direct Wi-Fi connection to transfer the Audio and Video from your device. This does not require a active network.

If your smartphone has the Screen Time Out, active on your phone, and your phone display goes to sleep, you will no longer see the image on the screen. Deactivate to avoid.



#### IMPORTANT NOTE:

Does Not support Netflix and Youtube on iOS System (APPLE) Devices due to Restrictions placed by Apple.

The VCIP5 cable may be utilized for accessing these Apps (Sold Separately).

ANDROID System Devices are fully compatible with the above Apps.

#### SAFETY WARNING:

**THIS INTERFACE IS DESIGNED TO ACTIVATE VIDEO IN-MOTION TO ALLOW THE PASSENGER ACCESS TO THE ADDRESS INPUT WHILE THE VEHICLE IS IN-MOTION. THIS INTERFACE MAY CAUSE AN ERROR WHEN SERVICED AT THE OEM DEALER. BE AWARE THAT MOST DEALERS WILL ATTEMPT TO VOID THE MANUFACTURERS WARRANTY WHEN INSTALLING ANY AFTERMARKET EQUIPMENT. IMPROPER USE OF THIS INTERFACE BY THE DRIVER MAY RESULT IN CITATION. DRIVER MUST KEEP FULL ATTENTION ON THE ROAD AND RESPONSIBILITY ON THE SAFETY OF THEIR PASSENGERS.**



# Wi-Fi AUDIO/ VIDEO INTERFACE FOR SELECT F-SERIES TRUCKS 2011-UP

## COMPATIBLE FACTORY MYFORD TOUCH RADIOS (NO CONTROL ON THE SWC)

### WVIFD-02F

**COMPATIBLE RADIO SYSTEM:**  
MyFord Touch Radio System\*

\* **Important Note:** Vehicle must be equipped with Factory A/V Input for the kit to function.

**FORD**

- 2013 - 2015 F150
- 2013 - 2015 F150 Raptor
- 2013 - 2015 F250
- 2013 - 2015 F350
- 2013 - 2015 F450
- 2013 - 2015 F550

Installer must use Toggle Switch for VIM Control. (See page 3 on instruction sheet).

Activating the VIM will effect the GPS System. (May cause delay in location updates)

**WORKS FOR ALL:**  
**MyFord Touch Radios**

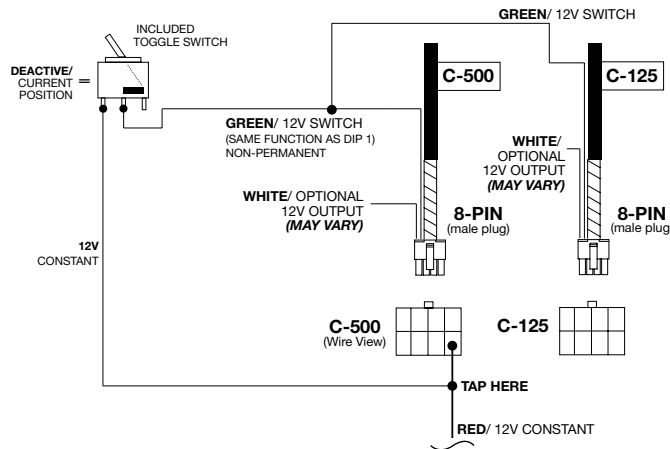
**NOTE:** The radio system will go through a reboot process that may take up to 1 minute. It will initialize and re-load all previous settings. Once complete it will resume the original radio display.



### INSTALLING THE TOGGLE SWITCH

You will be able to use any of the 8-Pin connectors from the interface modules. Use the RED wire as your constant source for the toggle switch and both of the GREEN wires from the T-Harness\*.

To be used on 2013-2014 Ford F-Series vehicles as they do not offer SWC activation.



### USING THE 8-PIN FOR GROUND

We recommend using the BLACK wire on the C-500 connector. See picture below for where to tap.

