

Vehicle Applications

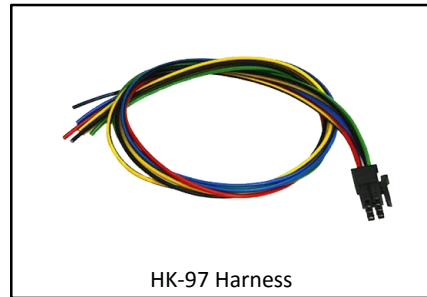
2016 Kia Sorrento

Navigation / Radio Compatibility

- with 8" Navigation screen.



Parts Included



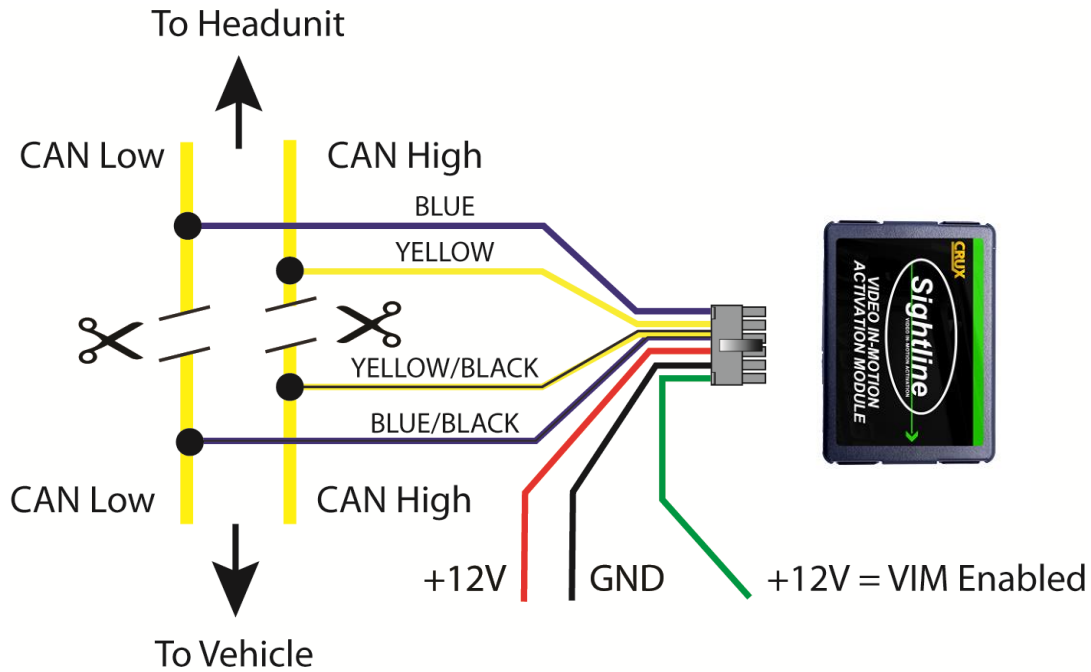
Wiring Diagram



Pin assignment male 8-pin connector of VIMHK-97

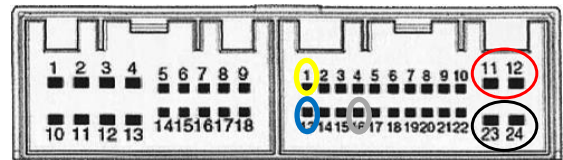
Cable colour	Pin-No.	Assignment
● Yellow	Pin 4	CAN-HIGH – connection to the head-unit
● Blue	Pin 3	CAN-LOW – connection to the head-unit
●● Yellow/Black	Pin 8	CAN-HIGH – connection to the vehicle
●● Blue/Black	Pin 7	CAN-LOW – connection to the vehicle
● Red	Pin 1	+12V Constant
● Black	Pin 5	Ground
● Green	Pin 6	Activation of the Video-in-Motion function (+12V = VIM Enabled)
● White	Pin 2	Trigger output (+12V DC 500mA)





Installation Instructions

Connector	Assignment
Connector B, Pin 11/12	+12V Constant (Red)
Connector B, Pin 23/24	Ground (Black)
Connector B, Pin 1	CAN-HIGH (Yellow)
Connector B, Pin 13	CAN-LOW (Blue)
Connector B, Pin 16	Speedsignal (Gray)



Connector A

Connector B

Please note that the given information must be verified by the installer. Crux Interfacing assumes no liability for changes in wire color or pin assignments made by the vehicle manufacturer.

For video in motion, cut and insulate the analog speed signal wire (pin 17, connector B) (navigation will still work over GPS reception). An optional toggle switch can be installed in between the cut speed signal wire in case the GPS reception is bad or not available.



DIP Switch Setting

Vehicle/ Navigation	Dip 1	Dip 2	Dip 3	Dip 4	Dip 5	Dip 6
All vehicles	ON	OFF	OFF	OFF	OFF	OFF

DIP Switch Functions:

Dip 1 – ON = Video In Motion enabled

Dip 2 – ON = If factory rear-view camera is present

Dip 3 – no function (set to OFF)

Dip 4 – no function (set to OFF)

Dip 5 – CAN-bus termination resistor on the vehicle side

Dip 6 – CAN-bus termination resistor on the head-unit side

Activation of the Video-In-Motion function

The Video-In-Motion can be activated and deactivated by DIP 1 or by the loose green wire on the harness when connected to a +12V ACC source.

Video-In-Motion permanent

With DIP1 set to ON, the video-in-motion function is activated permanently without disturbing the navigation performance.

Video-in-motion selective

With DIP1 set to OFF, the green wire is used to activate and deactivate the video-in-motion function.

Connect a toggle switch between the green wire and +12V ACC.

- +12V = Video-in-motion is activated
- 0V = Video-in-motion is not activated

