



VIMFD-95F



MUST USE TOGGLE SWITCH TO ACTIVATE VIM

FORD

- 2013 - 2015 F150
- 2013 - 2015 F150 Raptor
- 2013 - 2015 F250
- 2013 - 2015 F350
- 2013 - 2015 F450
- 2013 - 2015 F550

Installer must use Toggle Switch for VIM Control. (See diagram on page 2)

WORKS FOR ALL:

**MyFord Touch Radios
SONY AND NON-SONY SYSTEMS**

Activating the VIM will affect the GPS System.
(May cause delay in location updates)

C-125 & C-500 MODULE:

SW: 2.0.3

WORKS FOR ALL:

**MyFord Touch Radios
SONY AND NON-SONY SYSTEMS**

VIDEO IN-MOTION ACTIVATION FOR SELECT FORD MyFord Touch RADIOS 2013-UP

We recommend reading this installation guide first before starting any work. Following these instructions from "Start" to "Finish" will ensure a smooth and hassle free installation. We offer telephone support M-F 9:00 AM - 5:00 PM PDT at 1 (855) 822-1348. We are here to help.

PARTS INCLUDED:

- (1) FD-95 C-500 Interface
- (1) FD-95 C-125 Interfaces
- (1) FD-95 T-Harness
- (1) Toggle Switch
- (1) Instruction

PRECAUTIONS:

- Remove the negative side of the battery to avoid any short circuits during the installation.
- Do not install the interface near any major components or near the HVAC system. This may cause damage or overheating to the vehicle.
- **Do not disconnect the airbag connection behind the radio panel.**

PRELIMINARY:

Please read the entire manual before installing this interface.
This interface does not activate DVD reader.

SAFETY WARNING:

THIS INTERFACE IS DESIGNED TO ACTIVATE VIDEO IN-MOTION TO ALLOW THE PASSENGER ACCESS TO THE ADDRESS INPUT WHILE THE VEHICLE IS IN-MOTION. THIS INTERFACE MAY CAUSE AN ERROR WHEN SERVICED AT THE OEM DEALER. BE AWARE THAT MOST DEALERS WILL ATTEMPT TO VOID THE MANUFACTURERS WARRANTY WHEN INSTALLING ANY AFTERMARKET EQUIPMENT. IMPROPER USE OF THIS INTERFACE BY THE DRIVER MAY RESULT IN CITATION. DRIVER MUST KEEP FULL ATTENTION ON THE ROAD AND RESPONSIBILITY ON THE SAFETY OF THEIR PASSENGERS.

INSTALLING THE INTERFACE:

1. Remove the factory display to gain access to the factory connectors.
2. Remove the 54-Pin connector from behind the display.
3. Make the T-Harness connections behind the factory display.
(if the connectors do not match please contact tech support)
4. Connect both Interfaces to an 8-Pin connector. No orientation.
4. Set the dip switches as needed on both interfaces. (See below)
5. Test the Navigation address input while the car is in-motion to verify the VIM is active.

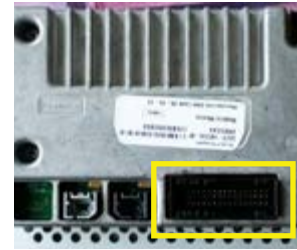
*As an option we have provided a 12v output wire from our interface, as the vehicle does not provide a 12v source.
Not all vehicles support this feature.*

SETTING THE DIP SWITCHES

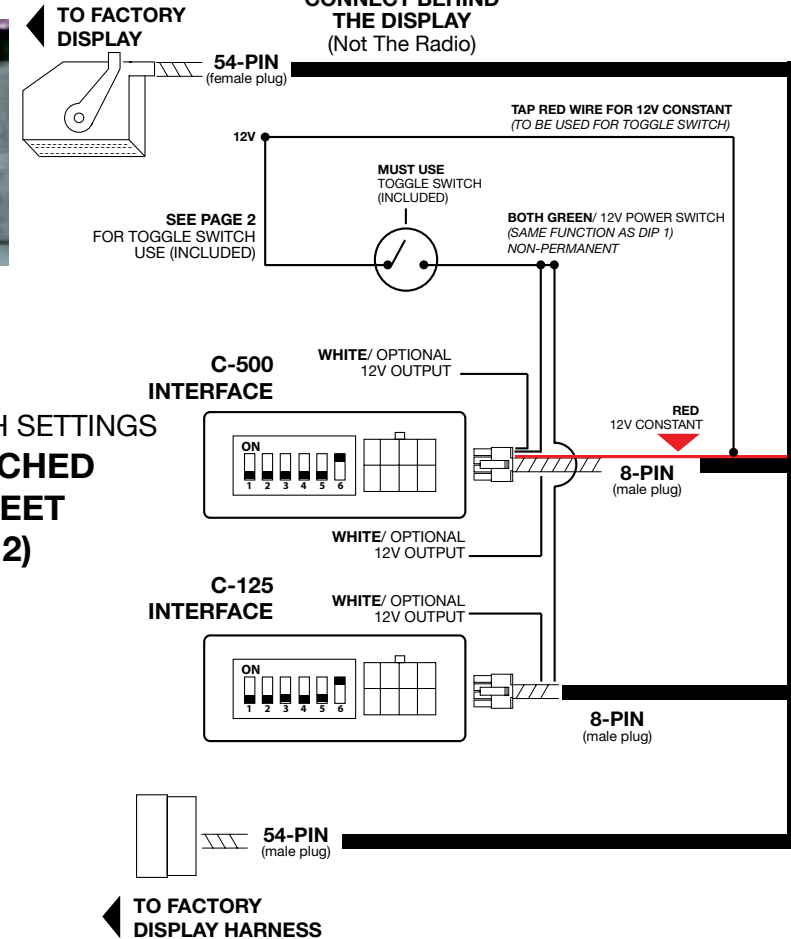
- Dip 1:** Set to OFF.
- Dip 2,3,4:** Not Used
- Dip 5:** Place to the OFF position on both interfaces.
- Dip 6:** Place to the ON position on both interfaces.

*Activating the VIM will effect the GPS System.
(May cause delay in location updates)*

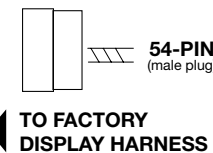
INSTALLATION OVERVIEW



BACK OF FACTORY DISPLAY
(Not The Radio)



**FOR DIP SWITCH SETTINGS
SEE ATTACHED
SLIP SHEET
(Page 2)**



TROUBLE SHOOTING

1. No video display while in-motion.
 - Make sure the dip switches are in the correct position.
 - Start the vehicle and drive more than 10 feet.



VIMFD-95F



MUST USE TOGGLE SWITCH TO ACTIVATE VIM

FORD

- 2013 - 2015 F150
- 2013 - 2015 F150 Raptor
- 2013 - 2015 F250
- 2013 - 2015 F350
- 2013 - 2015 F450
- 2013 - 2015 F550

Installer must use Toggle Switch for VIM Control. (See diagram on page 2)

WORKS FOR ALL:
MyFord Touch Radios
SONY AND NON-SONY SYSTEMS

Activating the VIM will affect the GPS System.
 (May cause delay in location updates)

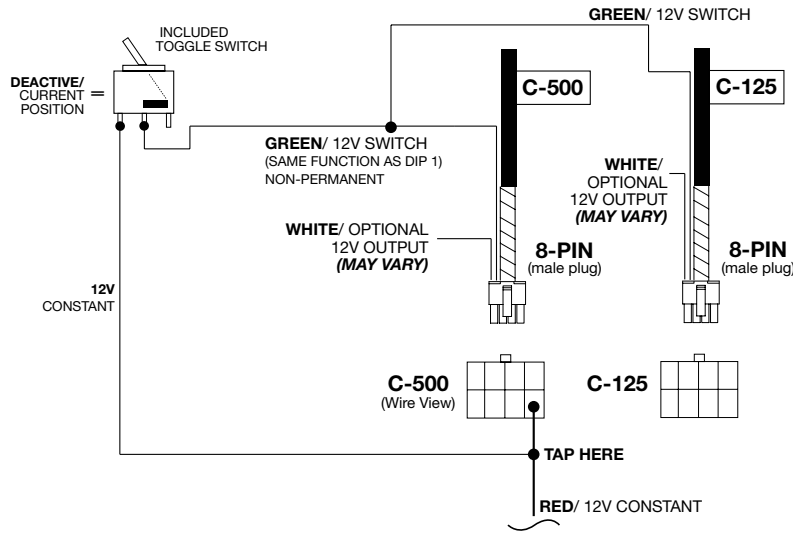
C-125 & C-500 MODULE:
 SW: 2.0.3

WORKS FOR ALL:
MyFord Touch Radios
SONY AND NON-SONY SYSTEMS

VIDEO IN-MOTION ACTIVATION FOR SELECT FORD MyFord Touch RADIOS 2013-UP

INSTALLING THE TOGGLE SWITCH

To activate the Video In-Motion you will need to add a toggle switch to turn on and off. **Use both GREEN wires from both modules to power the switch.** You will be able to use the 8-Pin connector from the C-500 interface module to power the switch. Use the RED wire as your constant source for the toggle switch and both of the GREEN wires from the T-Harness.



DIP SWITCHES SLIP SHEET

PIN 1/ VIM CONTROL CONFIGURATION

DIP#	C-125	C-500	RESULT
Dip 1	OFF	OFF	User control of the VIM feature will be turned ON and OFF from Toggle Switch
Dip 1	ON	ON	VIM Permanently on. No control Toggle Switch. Recommended for vehicles w/o factory GPS.
Dip 2	OFF	OFF	Note Used
Dip 3	OFF	OFF	Not Used.
Dip 4	OFF	OFF	Not Used.
Dip 5	OFF	OFF	CAN Termination.
Dip 6	ON	ON	CAN Termination.



VIMFD-95F



**MUST USE TOGGLE SWITCH TO
ACTIVATE VIM**

FORD

2013 - 2015 F150
2013 - 2015 F150 Raptor
2013 - 2015 F250
2013 - 2015 F350
2013 - 2015 F450
2013 - 2015 F550

Installer must use Toggle Switch for
VIM Control. (See diagram on page 2)

WORKS FOR ALL:

**MyFord Touch Radios
SONY AND NON-SONY SYSTEMS**

Activating the VIM will affect the GPS
System.
(May cause delay in location updates)

C-125 & C-500 MODULE:

SW: 2.0.3

WORKS FOR ALL:

**MyFord Touch Radios
SONY AND NON-SONY SYSTEMS**

VIDEO IN-MOTION ACTIVATION FOR SELECT FORD MyFord Touch RADIOS 2013-UP

COMPATIBLE RADIO: SONY AND NON-SONY 8" RADIOS

