

### Product Features

- Retains factory features in select GM LAN 11 Bit vehicles while functioning with an aftermarket radio.
- Supports Bose, non-Bose and Y-91 audio systems.
- Retains factory front and rear parking sensors.
- Retains safety and warning chime functions.
- EIA color coded wiring for easy installation.

### Vehicle Applications

#### 16 and 14 PIN CONNECTORS

##### CHEVROLET

2007-2010	Cobalt
2007-2011	HHR
2008-2012	Malibu

##### PONTIAC

2007-2009	G5
2008-2009	G6
2006-2009	Solstice

##### SATURN

2007-2009	Aura
2007	Ion
2007-2010	Sky

#### 24 PIN CONNECTOR

##### CHEVROLET

2005-2006	Cobalt
2004-2007	Malibu
2004-2007	Malibu Maxx
2008	Malibu Classic

##### PONTIAC

2005-2007	G6
-----------	----

### Notes

1. **DOES NOT** support ONSTAR.
2. **DOES NOT** support factory Steering Wheel Controls. Use Part# SWRGM-51 instead.

### Parts Included



GM-18B Module



GM-18B Harness (GM-2A)



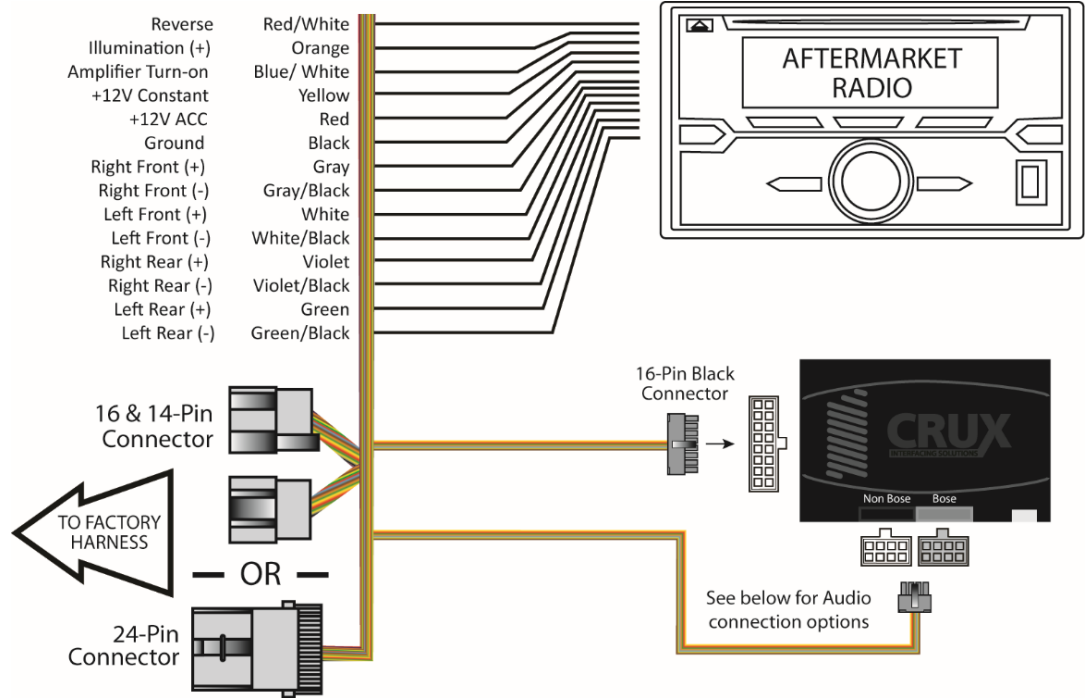
GM-18B Harness (GM-2B)



Antenna Adaptor



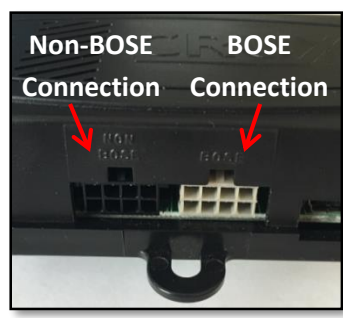
### Installation Diagram



### Selecting the Audio System

If the vehicle is equipped with a Bose system, the SOCGM-18 has a built-in Bose adaptor that allows the proper audio input gain from the aftermarket radio to the Bose amplifier. To use this feature, plug in the male 8-pin connector on the harness to the GRAY female 8-pin connector on the SOCGM-18 module. The module is also labeled "Bose" and "Non Bose" to avoid confusion.

If the vehicle is NOT equipped with a Bose system, plug in the male 8-pin connector to the BLACK female 8-pin on the SOCGM-18 module.



### CHIME VOLUME ADJUSTMENT

The SOCGM-18 has a potentiometer to adjust the chime volume. It is set at half way by default. To adjust the volume, simply use a suitable screw driver and turn the potentiometer clockwise to increase the volume and counter-clockwise to decrease the volume.

